



Product Change Notification

110988 - 01

Information in this document is provided in connection with Intel® products. No license, express or implied, by estoppel or otherwise, to any intellectual property rights is granted by this document. Except as provided in Intel's Terms and Conditions of Sale for such products, Intel assumes no liability whatsoever, and Intel disclaims any express or implied warranty, relating to sale and/or use of Intel products including liability or warranties relating to fitness for a particular purpose, merchantability, or infringement of any patent, copyright or other intellectual property right. Intel products are not intended for use in medical, life saving, or life sustaining applications. Intel may make changes to specifications and product descriptions at any time, without notice.

Should you have any issues with the timeline or content of this change, please contact the Intel Representative(s) for your geographic location listed below. No response from customers will be deemed as acceptance of the change and the change will be implemented pursuant to the key milestones set forth in this attached PCN.

Americas Contact: asm.pcn@intel.com

Asia Pacific Contact: apacccb@intel.com

Europe Email: eccb@intel.com

Japan Email: jccb.ijkk@intel.com

Copyright © Intel Corporation 2011. Other names and brands may be claimed as the property of others.

BunnyPeople, Celeron, Celeron Inside, Centrino, Centrino Inside, Cilk, Core Inside, i960, Intel, the Intel logo, Intel AppUp, Intel Atom, Intel Atom Inside, Intel Core, Intel Inside, Intel Insider, the Intel Inside logo, Intel NetBurst, Intel NetMerge, Intel NetStructure, Intel SingleDriver, Intel SpeedStep, Intel Sponsors of Tomorrow, the Intel Sponsors of Tomorrow logo, Intel StrataFlash, Intel vPro, Intel XScale, InTru, the InTru logo, the InTru Inside logo, InTru soundmark, Itanium, Itanium Inside, MCS, MMX, Moblin, Pentium, Pentium Inside, Puma, skool, the skool logo, Sound Mark, The Creators Project, The Journey Inside, Thunderbolt, vPro Inside, VTune, Xeon, and Xeon Inside are trademarks of Intel Corporation in the U.S. and/or other countries.

Learn how to use Intel Trademarks and Brands correctly at <http://www.intel.com/intel/legal/tmusage2.htm>.



Product Change Notification

Change Notification #: 110988 - 01
Change Title: Intel® Server System R1304BTLSFAN, R1304BTLSHBN and R1304BTSSFAN, 3.5 inch Hot-Swap Backplane Spare FXX1304HSBP, Mechanical Spares Kit FR1304MSK, PCN 110988-01, Product Material, Change Chassis Mechanical, Reason for Revision: Update Quick Start User Guide (QSG) and Update TA, MM# and PBA
Date of Publication: November 28, 2011

Key Characteristics of the Change:

Product Material

Forecasted Key Milestones:

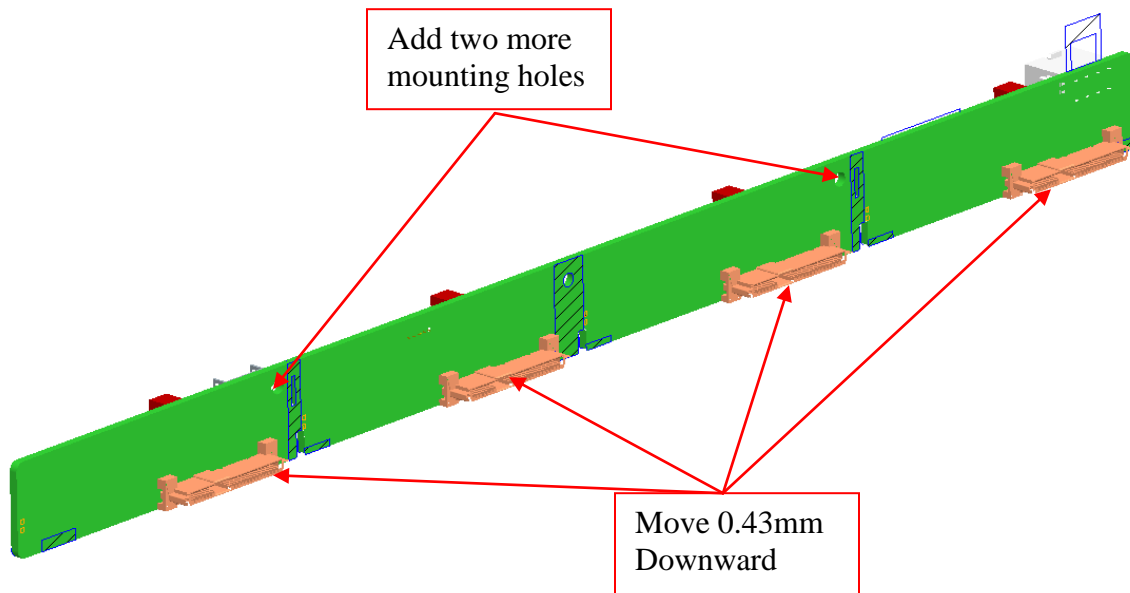
Date Customer Must be Ready to Receive Post-Conversion Material:	Dec 30, 2011
---	--------------

Description of Change to the Customer:

Reason for Revision: Update Quick Start User Guide (QSG) and Update TA, MM# and PBA

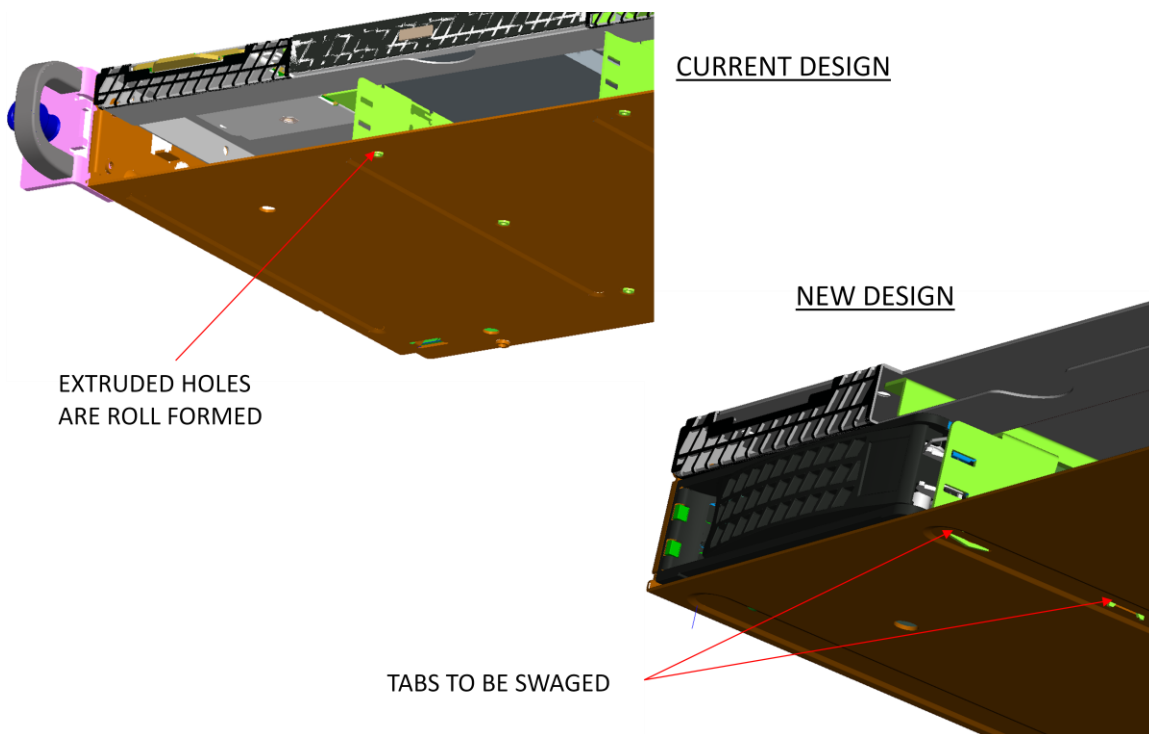
Intel will implement the following changes on the Hot Swap Backplane (HSBP) FXX1304HSBP, which is used in the Intel® Server System R1304BTLSHBN.

1. Move the locations of the SATA (hard drive) ports downward 0.43mm to support up to 26.11mm height hard drives.
2. Add two more mounting holes to improve the Hot Swap Backplane assembly. Below diagram shows the two new added holes.



Intel will implement the following changes on Intel® Server System R1304BTLSHBN.

1. Change the hot swap front end design from the rivet design to use swagged tabs to support up to 26.11mm height hard drives. See the diagram below for the changes.



Intel will change the cable length to improve the cable routing in the Intel® Server System R1304BTLSFAN, R1304BTSSFAN, R1304BTLSHBN and the Mechanical Spares Kit FR1304MSK.

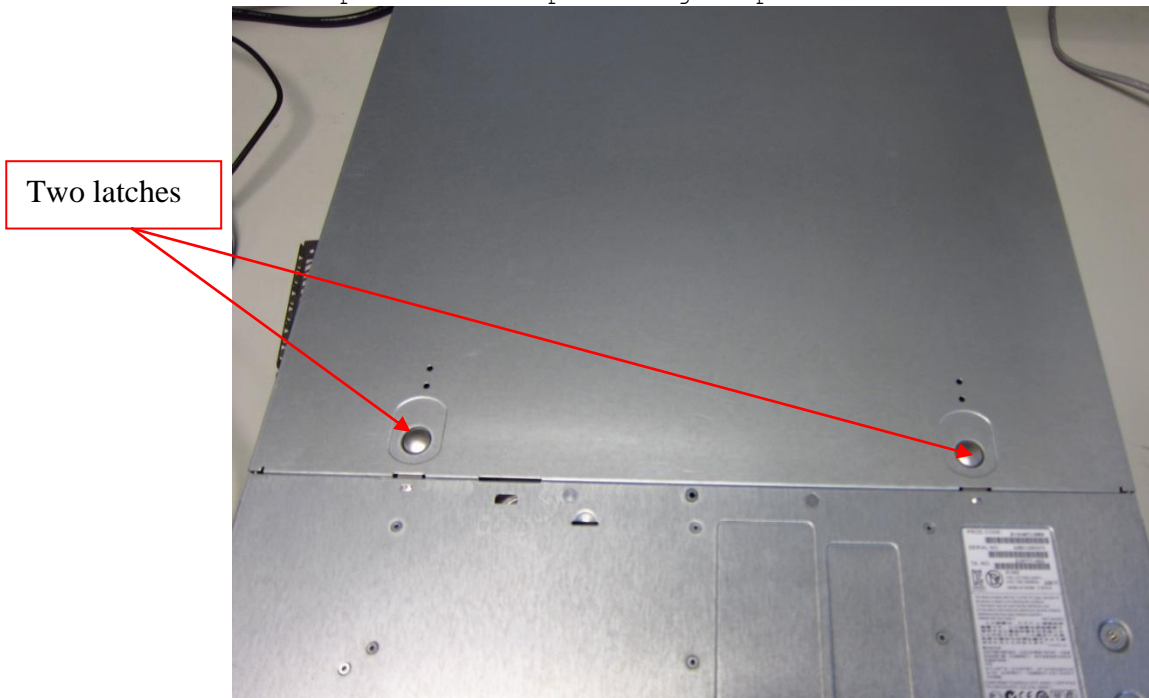
1. Change the I2C cable length from 400mm to 250mm.
2. The changes of the five SATA cables are listed below:
 - a. The length of the SATA cable for the hard drive port-3 is changed from 780mm to 615mm.

- b. The length of the SATA cable for the hard drive port-2 is changed from 650mm to 490mm.
 - c. The length of the SATA cable for the hard drive port-1 is changed from 530mm to 390mm.
 - d. The length of the SATA cable for the hard drive port-0 is changed from 400mm to 250mm.
 - e. The length of the SATA cable for the DVD ROM port is changed from 580mm to 370mm for the DVD ROM port.
3. Change the length of the two USB cables from 960mm to 800mm.
 4. Change the length of the front panel cable from 1090mm to 750mm.

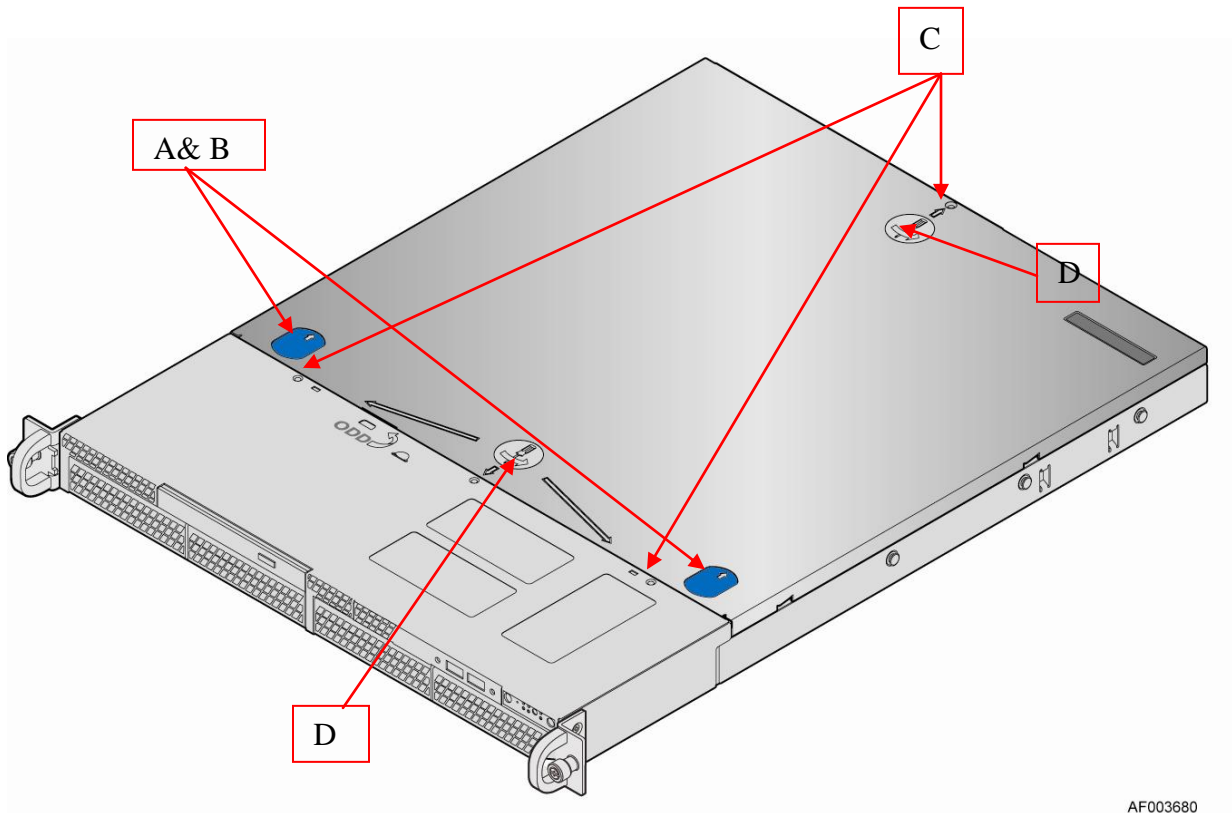
Intel will implement the following changes on the Intel® Server System R1304BTL SFAN, R1304BT SSFAN and R1304BTL SHBN to improve the serviceability.

1. The top cover will have below changes:
 - A. Remove two latches.
 - B. Add two thumb pads.
 - C. Add three additional screws holes and screws to improve the top cover assembly.
 - D. Change the screw icon.

Below photo is the pre-change top cover.

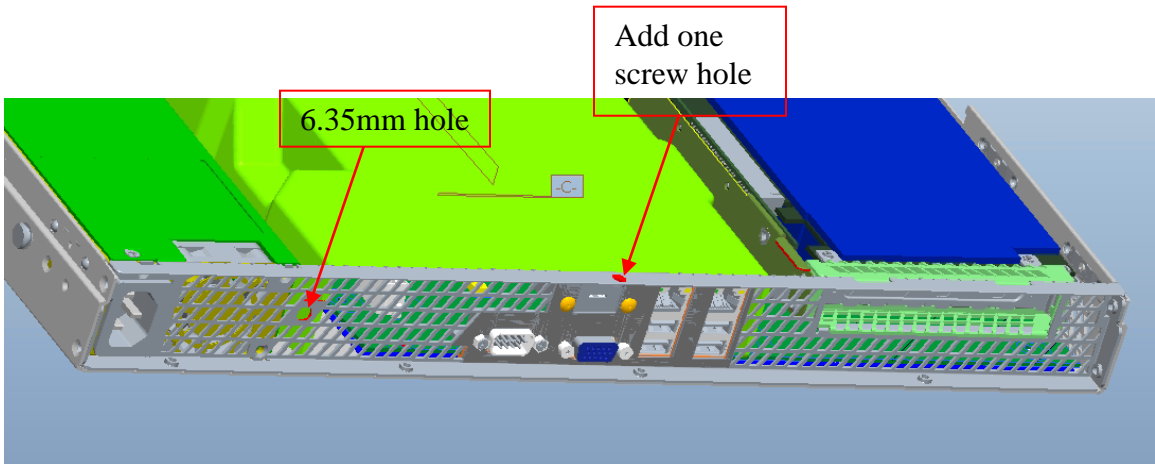


Below drawing is the post-change top cover with the change A, B, C and D.

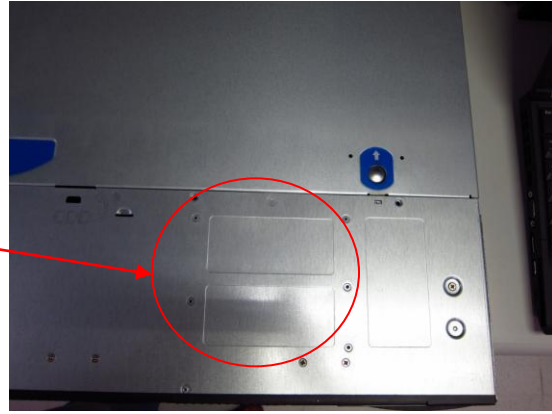
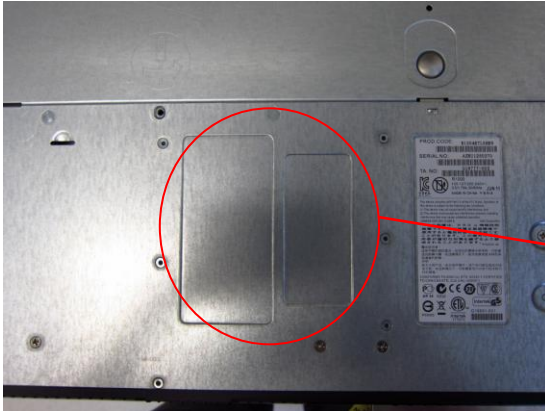


AF003680

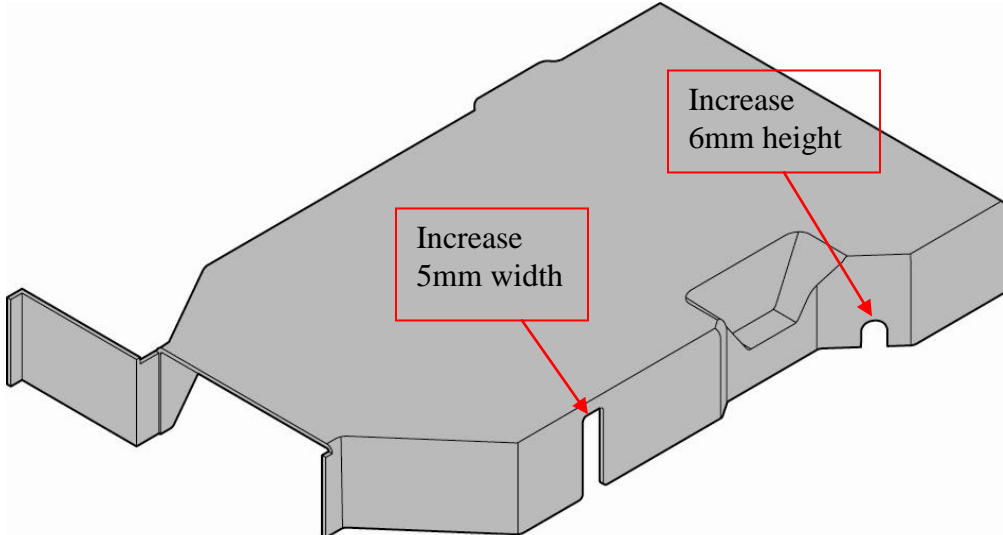
2. Change the rear panel on the chassis to hold the third party power cable.
 - A. Add one 6.35mm hole on the rear panel.
 - B. Add one screw hole on the rear panel to accommodate the additional screw hole being added to the top cover.
 Below is the drawing of the post-change part.



3. Change the label size and positioning at the front end of the chassis from 45mm x93mm and 33mm x 74mm (vertical labels) to two 40mm x 90mm (horizontal labels). See the picture below.



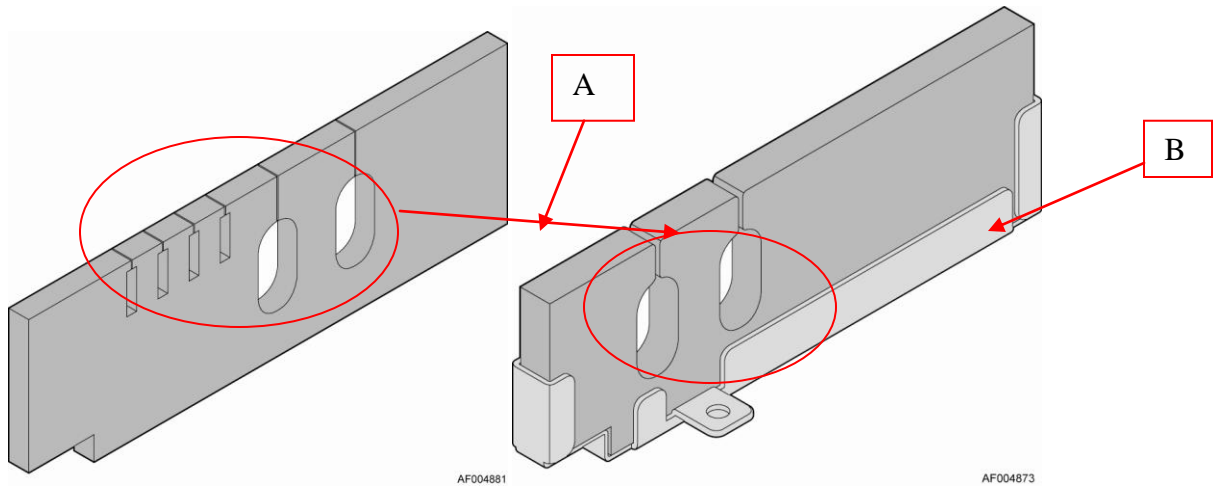
4. Update the air duct to increase cable slot space for improved serviceability. See the diagram below.
 - A. Increase the rear cable slot 6mm height to avoid bending of the power cable to accommodate the processor.
 - B. Increase the front cable slot 5mm width to avoid bending of the power cable to accommodate the server board.



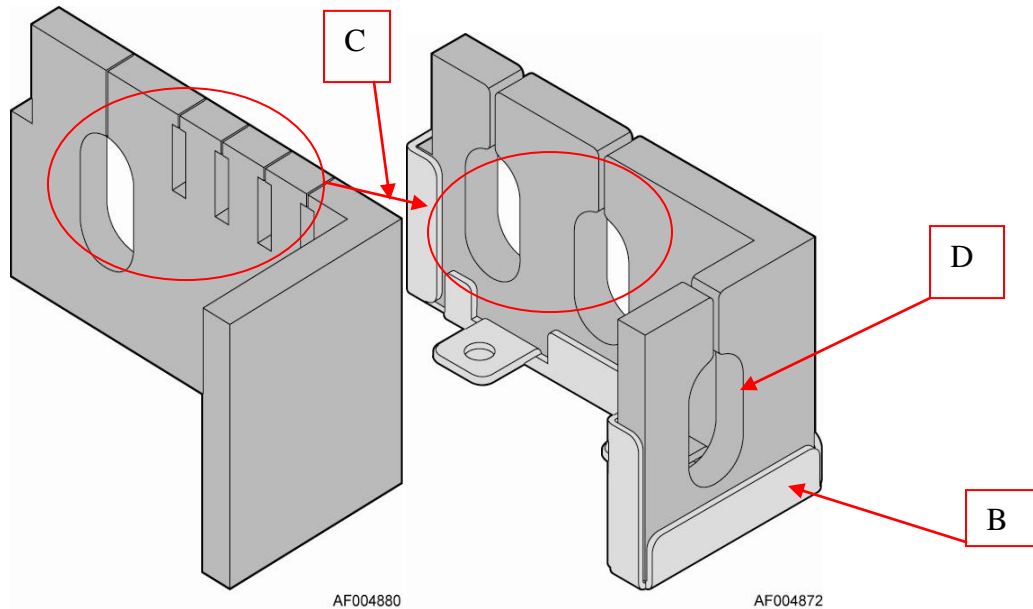
AF004870

5. Change the air dam to improve the cable routing and to strengthen the air dam.
 - A. Change 6 small cable slots to two larger cable slots for the routing of the front panel cable and the internal USB cable.
 - B. Add a metal holder to strengthen the air dams.
 - C. Change 5 small cable slots to two larger cable slots for the routing of the SATA cables, the SGPIO cable and the I2C cable.
 - D. Add one cable slot for better cable routing from the SAS module.

Below left drawing is the pre-change air dam. The right drawing is the post-change air dam.



Below left drawing is the pre-change air dam. The right drawing is the post-change air dam.



6. Intel will change the QSG in the Intel® Server System R1304BTLSFAN, R1304BTSSFAN and R1304BTLSHBN to update the top cover assembly.
 - A. Update the QSG from IPN G20488-002 to G20488-004 in Intel® Server System R1304BTLSFAN.
 - B. Update the QSG from IPN G20489-003 to G20489-005 in Intel® Server System R1304BTLSHBN.
 - C. Update the QSG from IPN G20493-001 to G20493-003 in Intel® Server System R1304BTSSFAN.

Customer Impact of Change and Recommended Action:

Intel recommends customers evaluate the changes and determine impacts to their specific applications and manufacturing processes when the updated products become available.

Products Affected / Intel Ordering Codes:

Pre Change Product Code	Pre Change MM#	Pre Change TA	Pre Change PBA	Post Change Product Code	Post Change MM#	Post Change TA	Post Change PBA
R1304BTLSHBN	911688	G19777-004	NA	R1304BTLSHBN	920117	G52355-001	NA
R1304BTLSFAN	911698	G19672-004	NA	R1304BTLSFAN	911689	G19672-005	NA
R1304BTSSFAN	911709	G22737-003	NA	R1304BTSSFAN	911709	G22737-004	NA
R1304BTLSHBNNA	907658	G19777-004	NA	R1304BTLSHBNNA	919986	G52355-001	NA
R1304BTLSFANNA	907775	G19672-004	NA	R1304BTLSFANNA	907775	G19672-005	NA
R1304BTSSFANNA	907569	G22737-003	NA	R1304BTSSFANNA	907569	G22737-004	NA
FR1304MSK	912802	G22750-002	NA	FR1304MSK	912802	G22750-003	NA
FXX1304HSBP	917420	G37682-001	G10396-205	FXX1304HSBP	919045	G37682-002	G10396-301

PCN Revision History:

Date of Revision:

November 10, 2011

November 28, 2011

Revision Number:

00

01

Reason:

Originally Published PCN

Update Quick Start User Guide (QSG) and Update TA, MM# and PBA