



Product Change Notification

Change Notification #: 119335-00

Change Title: Intel® Server System M50CYP2UR208, Single,
PCN 119335-00, Product Design,
System Fan cage and riser changes

Date of Publication: November 10, 2022

Key Characteristics of the Change:

Product Design

Forecasted Key Milestones:

Date Customer Must be Ready to Receive Post-Conversion Material*	November 25, 2022
---	-------------------

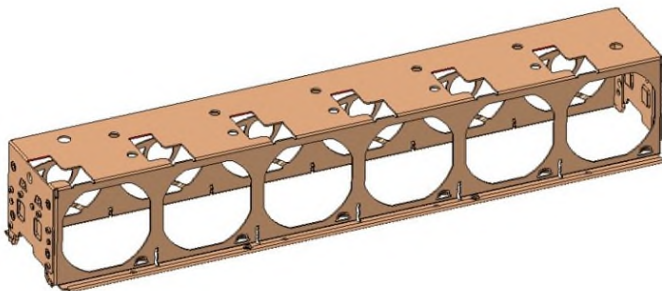
* Intel appreciates the customer's desire to receive the latest revision of products. However, Intel manages inventory on a first in first out (FIFO) basis at the MM# level. Subsequently, customer requests for a specific revision of material (below the MM#) will not be supported by Intel.

Description of Change to the Customer:

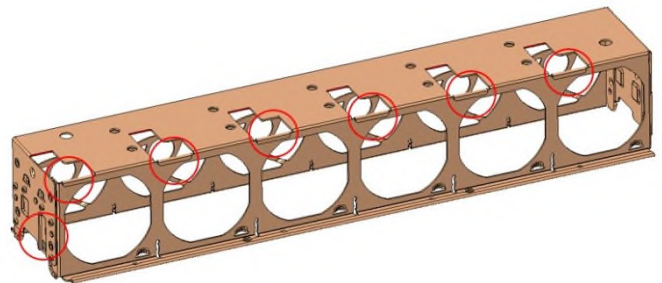
Intel is implementing the following changes to the Intel® Server Board listed in the “Products Affected” table below.

- Intel is implementing upgrades on system's fan cage and riser #1 to increase its performance, images below show these upgrades.

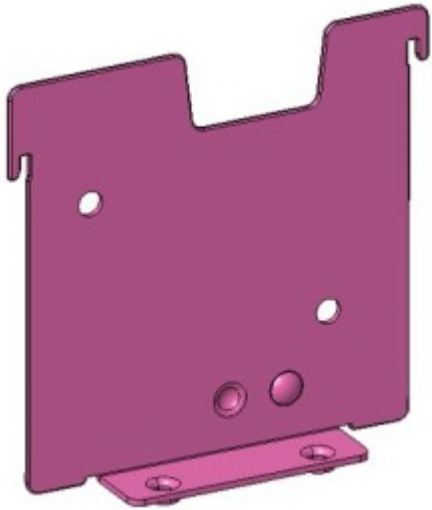
Fan Cage – Before



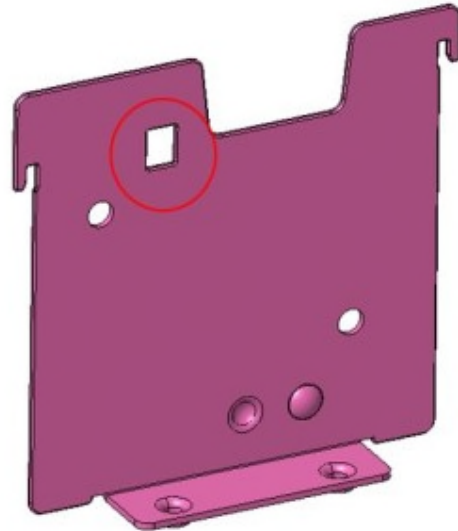
Fan Cage- After



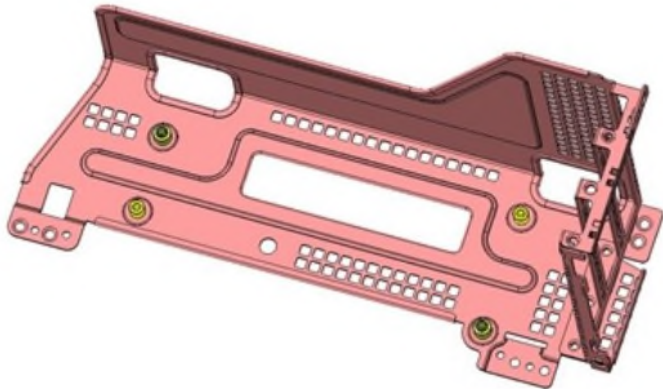
Fan Partition- before



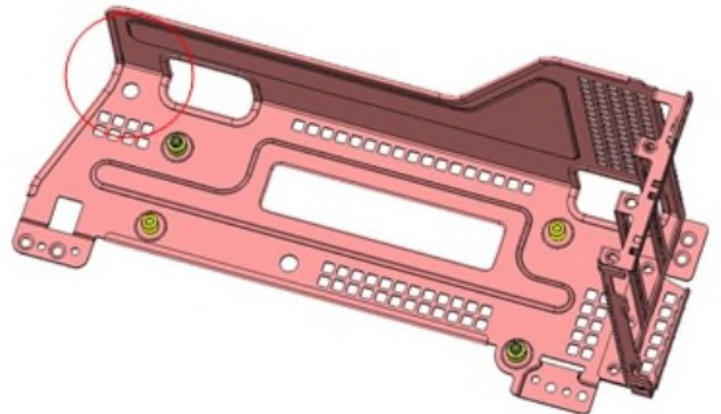
Fan Parition- After



Riser – Before



Riser- After



Customer Impact of Change and Recommended Action:

Intel anticipates no impact to customers. Please contact your local Intel Field Sales Representative if you have any further questions about these changes.

Products Affected/Intel Ordering Codes:

Marketing Name	Product Code	MM#	Pre Change TA	Post Change TA
Intel® Server System M50CYP2UR208, Single	M50CYP2UR208	99A3TT	M11349-006	M11349-007

PCN Revision History:

Date of Revision:

November 10, 2022

Revision Number:

00

Reason:

Originally Published PCN



Product Change Notification

119335-00

Notices & Disclaimers

No license (express or implied, by estoppel or otherwise) to any intellectual property rights is granted by this document.

Intel disclaims all express and implied warranties, including without limitation, the implied warranties of merchantability, fitness for a particular purpose, and non-infringement, as well as any warranty arising from course of performance, course of dealing, or usage in trade, except as provided in a separate written agreement.

You may not use or facilitate the use of this document in connection with any infringement or other legal analysis concerning Intel products described herein. You agree to grant Intel a non-exclusive, royalty-free license to any patent claim thereafter drafted which includes the subject matter disclosed herein.

The products described may contain design defects or errors known as errata which may cause the product to deviate from published specifications. Current characterized errata are available on request.

Statements in this document that refer to future plans or expectations are forward-looking statements. These statements are based on current expectations and involve many risks and uncertainties that could cause actual results to differ materially from those expressed or implied in such statements. For more information on the factors that could cause actual results to differ materially, see our most recent earnings release and SEC filings at www.intc.com.

Customer is responsible for safety of the overall system, including compliance with applicable safety-related requirements or standards.

Intel technologies may require enabled hardware, software or service activation.

No product or component can be absolutely secure.

Your costs and results may vary.

©Intel Corporation. Intel, the Intel logo, and other Intel marks are trademarks of Intel Corporation or its subsidiaries. Other names and brands may be claimed as the property of others.

No response from customers will be deemed an acceptance of the change, and the change will be implemented pursuant to the key milestones set forth in this attached PCN.

Should you have any issues with the timeline or content of this change, please contact the Intel Representative(s) for your geographic location listed below.

Americas Contact: asm0.pcn@intel.com

Asia Pacific/PRC Contact: apacgccb@intel.com

Europe Email: eccb@intel.com

Japan Email: jccb.ijkk@intel.com