



# Product Change Notification

## 112295 - 00

**INFORMATION IN THIS DOCUMENT IS PROVIDED IN CONNECTION WITH INTEL PRODUCTS. NO LICENSE, EXPRESS OR IMPLIED, BY ESTOPPEL OR OTHERWISE, TO ANY INTELLECTUAL PROPERTY RIGHTS IS GRANTED BY THIS DOCUMENT. EXCEPT AS PROVIDED IN INTEL'S TERMS AND CONDITIONS OF SALE FOR SUCH PRODUCTS, INTEL ASSUMES NO LIABILITY WHATSOEVER AND INTEL DISCLAIMS ANY EXPRESS OR IMPLIED WARRANTY, RELATING TO SALE AND/OR USE OF INTEL PRODUCTS INCLUDING LIABILITY OR WARRANTIES RELATING TO FITNESS FOR A PARTICULAR PURPOSE, MERCHANTABILITY, OR INFRINGEMENT OF ANY PATENT, COPYRIGHT OR OTHER INTELLECTUAL PROPERTY RIGHT.**

**A "Mission Critical Application" is any application in which failure of the Intel Product could result, directly or indirectly, in personal injury or death. SHOULD YOU PURCHASE OR USE INTEL'S PRODUCTS FOR ANY SUCH MISSION CRITICAL APPLICATION, YOU SHALL INDEMNIFY AND HOLD INTEL AND ITS SUBSIDIARIES, SUBCONTRACTORS AND AFFILIATES, AND THE DIRECTORS, OFFICERS, AND EMPLOYEES OF EACH, HARMLESS AGAINST ALL CLAIMS COSTS, DAMAGES, AND EXPENSES AND REASONABLE ATTORNEYS' FEES ARISING OUT OF, DIRECTLY OR INDIRECTLY, ANY CLAIM OF PRODUCT LIABILITY, PERSONAL INJURY, OR DEATH ARISING IN ANY WAY OUT OF SUCH MISSION CRITICAL APPLICATION, WHETHER OR NOT INTEL OR ITS SUBCONTRACTOR WAS NEGLIGENT IN THE DESIGN, MANUFACTURE, OR WARNING OF THE INTEL PRODUCT OR ANY OF ITS PARTS.**

**Intel may make changes to specifications and product descriptions at any time, without notice. Designers must not rely on the absence or characteristics of any features or instructions marked "reserved" or "undefined". Intel reserves these for future definition and shall have no responsibility whatsoever for conflicts or incompatibilities arising from future changes to them. The information here is subject to change without notice. Do not finalize a design with this information.**

**The products described in this document may contain design defects or errors known as errata which may cause the product to deviate from published specifications. Current characterized errata are available on request.**

**Should you have any issues with the timeline or content of this change, please contact the Intel Representative(s) for your geographic location listed below. No response from customers will be deemed as acceptance of the change and the change will be implemented pursuant to the key milestones set forth in this attached PCN.**

**Americas Contact:** [asmo.pcn@intel.com](mailto:asmo.pcn@intel.com)

**Asia Pacific/PRC Contact:** [apacgccb@intel.com](mailto:apacgccb@intel.com)

**Europe Email:** [eccb@intel.com](mailto:eccb@intel.com)

**Japan Email:** [jccb.ijkk@intel.com](mailto:jccb.ijkk@intel.com)

**Copyright © Intel Corporation 2013. Other names and brands may be claimed as the property of others.**

**BunnyPeople, Celeron, Celeron Inside, Centrino, Centrino Inside, Cilk, Core Inside, i960, Intel, the Intel logo, Intel AppUp, Intel Atom, Intel Atom Inside, Intel Core, Intel Inside, Intel Insider, the Intel Inside logo, Intel NetBurst, Intel NetMerge, Intel NetStructure, Intel SingleDriver, Intel SpeedStep, Intel Sponsors of Tomorrow, the Intel Sponsors of Tomorrow logo, Intel StrataFlash, Intel vPro, Intel XScale, InTru, the InTru logo, the InTru Inside logo, InTru soundmark, Itanium, Itanium Inside, MCS, MMX, Moblin, Pentium, Pentium Inside, Puma, skool, the skool logo, Sound Mark, The Creators Project, The Journey Inside, Thunderbolt, vPro Inside, VTune, Xeon, and Xeon Inside are trademarks of Intel Corporation in the U.S. and/or other countries.**

**Learn how to use Intel Trademarks and Brands correctly at <http://www.intel.com/intel/legal/tmusage2.htm>.**



# Product Change Notification

**Change Notification #:** 112295 - 00  
**Change Title:** Intel® Server System P4304BTLFCNR and P4304BTLSHCNR  
PCN 112295-00, Product Design, Label, Update Cables and Labels  
**Date of Publication:** June 06, 2013

## Key Characteristics of the Change:

Product Design

## Forecasted Key Milestones:

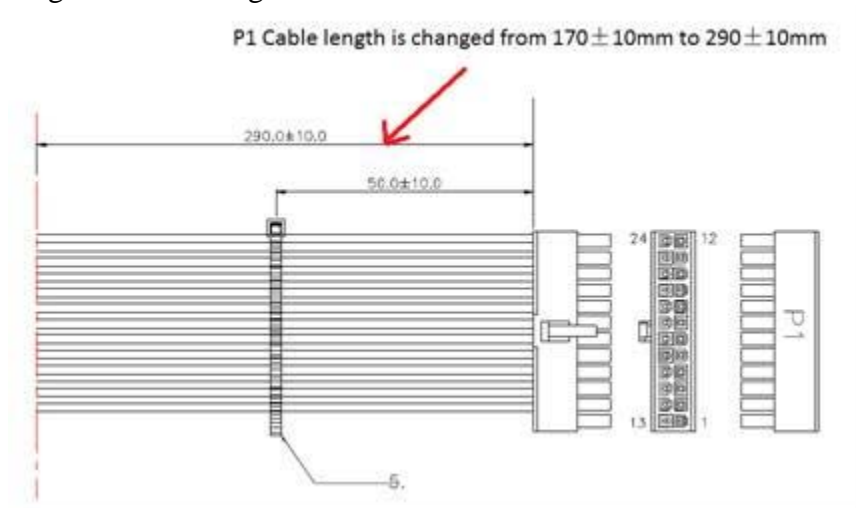
<b>Date Customer Must be Ready to Receive Post-Conversion Material:</b>	July 10, 2013
---	---------------

## Description of Change to the Customer:

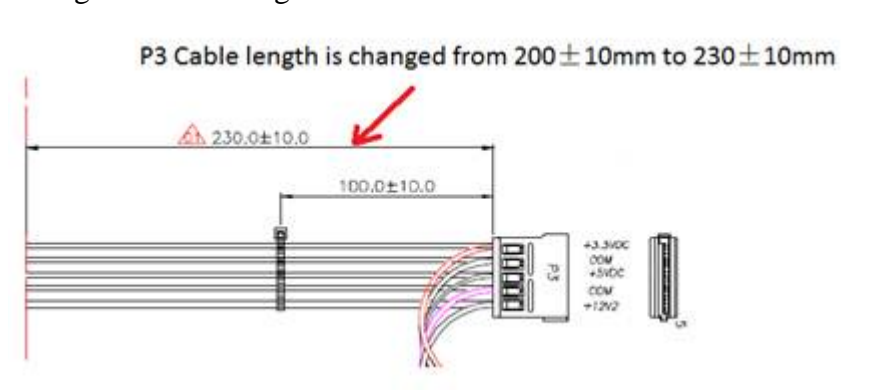
Intel will implement the following changes on the Intel® Server System P4304BTLFCNR and P4304BTLSHCNR.

The cables on the power supply are being changed to improve integration. The following changes will apply:

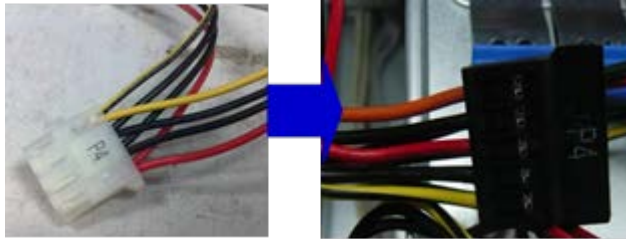
1. Change the cable length of P1 from 170mm to 290mm



2. Change the cable length of P3 from 200mm to 230mm.



3. Change P4 from 4 pin peripheral connector to 5 pin SATA connector.



4. Remove one adapter cable G22872-001. This adapter cable is no longer needed, as the 365Watt power supply (P4) connector was previously changed from a 4-pin peripheral connector to a 5-pin SATA connector.



The labels on the carton and product are being updated from G21162-002 to -003 as follows:

1. As part of Intel's efforts in environmental responsibility to eliminate excess materials for disposal, Intel will no longer be including the piece of paper with the California PERCHLORATE notification and a separate label with this information. Instead Intel will be including the California PERCHLORATE notification on an existing safety label. See sample below:



**Customer Impact of Change and Recommended Action:**

Intel anticipates no impact to customers; no action is recommended or required.

Please contact your local Intel Sales Office or Distributor if you require more information.

**Products Affected / Intel Ordering Codes:**

Product Code	MM#	Pre Change TA	Post Change TA
P4304BTLSFCNR	920614	G63614-002	G63614-003
P4304BTLSHCNR	920615	G63595-003	G63595-004

**PCN Revision History:**

**Date of Revision:**

June 06, 2013

**Revision Number:**

00

**Reason:**

Originally Published PCN