



Product Change Notification

Change Notification #: 116210 - 03
Change Title: New Shipper Box Options for Select Light Weight Intel Products using Tray Media, PCN 116210-03, Transport Media, Adding New Shipper Options, **Reason for Revision: Established Final Implementation Date & Updated SKUs Impacted**
Date of Publication: May 18, 2021

Key Characteristics of the Change:
Transport Media

Forecasted Key Milestones:

Date Customer Must be Ready to Receive Post-Conversion Material:	July 2, 2021
---	---------------------

Description of Change to the Customer:

Reason for Revision: Established Final Implementation Date & Updated SKUs Impacted

As Intel continues to be environmentally friendly in their use of shipping materials and ensure the integrity of product packaging, Intel has created new shipper box options for tray media which will optimize the packing, receiving and unpacking process for all the Intel light weight products.

The new shipper box options are displayed below and will now be available to use in addition to the current Shipper Box option for any of the products listed in the Products Affected / Intel Ordering Codes table. See details below.

CURRENT OPTION

1:1 Shipper Box



1:1 Shipper Box: E14153-001
1:1 cushions: 500274912
Dimensions: 430x237x266mm (OD)

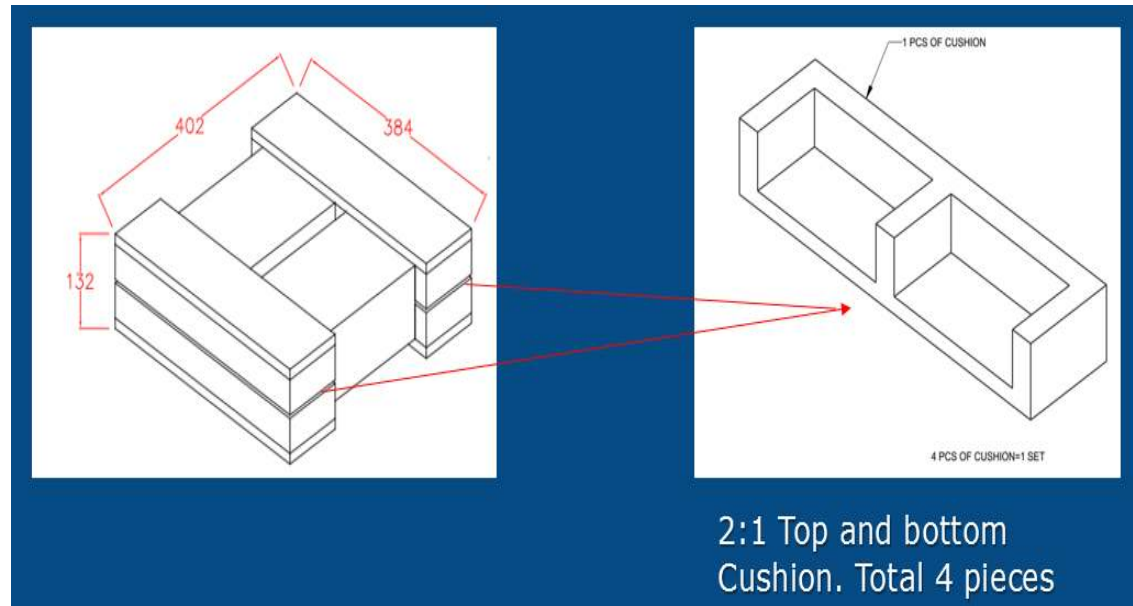
NEW SHIPPER BOX OPTIONS

2:1 Shipper Box (2 Intermediate boxes into one Shipper box)



2:1 Shipper Box: 500353910
2:1 cushions: 500354840
Dimension: 412x394x152mm (OD)

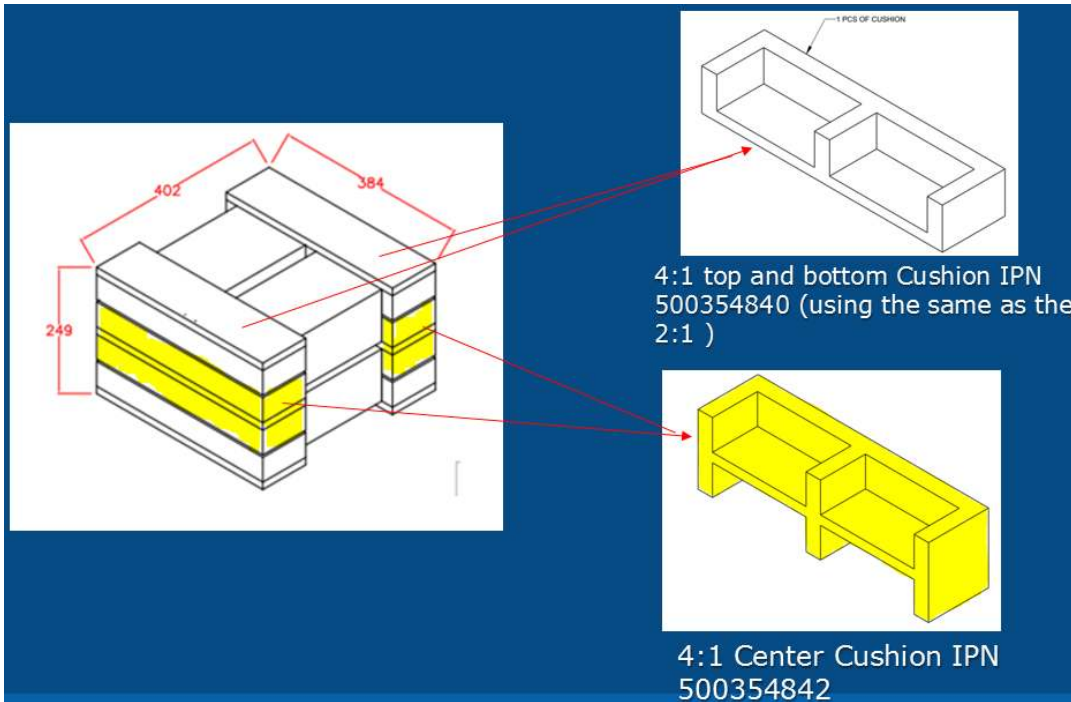
2:1 Cushions



4:1 Shipper Box (4 Intermediate boxes into one Shipper box)



4:1 Shipper Box: 500353909
4:1 cushions: 500354842
Dimension: 412x394x269mm (OD)
4:1 Cushions



1:1 Shipper Box



1:1 Shipper Box: E14153-001
1:1 cushions: 500274912
Dimensions: 430x237x266mm (OD)

Customer Impact of Change and Recommended Action:

Intel anticipates customers to be impacted by this change based on order sizes. The number of units per shipper box will differ depending on the shipper box used. The standard practice of Intel will be to minimize the number of boxes while maximizing the number of units per shipper box, unless otherwise arranged per product with direction from customers.

Please see your Intel Representative with any questions or concerns.

Products Affected / Intel Ordering Codes:

See the attached .xls spreadsheet for list of impacted products including the MM#, Product Code and Spec Code

PCN Revision History:

Date of Revision:	Revision Number:	Reason:
April 20, 2018	00	Originally Published PCN
April 26, 2018	01	Adding additional skus and Correcting verbiage to describe pictures of change
May 18, 2018	02	Pushing the implementation date out further & updating the impacted product list.
May 18, 2021	03	Established Final Implementation Date & Updated SKUs Impacted



Product Change Notification

116210 - 03

INFORMATION IN THIS DOCUMENT IS PROVIDED IN CONNECTION WITH INTEL PRODUCTS. NO LICENSE, EXPRESS OR IMPLIED, BY ESTOPPEL OR OTHERWISE, TO ANY INTELLECTUAL PROPERTY RIGHTS IS GRANTED BY THIS DOCUMENT. EXCEPT AS PROVIDED IN INTEL'S TERMS AND CONDITIONS OF SALE FOR SUCH PRODUCTS, INTEL ASSUMES NO LIABILITY WHATSOEVER AND INTEL DISCLAIMS ANY EXPRESS OR IMPLIED WARRANTY, RELATING TO SALE AND/OR USE OF INTEL PRODUCTS INCLUDING LIABILITY OR WARRANTIES RELATING TO FITNESS FOR A PARTICULAR PURPOSE, MERCHANTABILITY, OR INFRINGEMENT OF ANY PATENT, COPYRIGHT OR OTHER INTELLECTUAL PROPERTY RIGHT.

A "Mission Critical Application" is any application in which failure of the Intel Product could result, directly or indirectly, in personal injury or death. SHOULD YOU PURCHASE OR USE INTEL'S PRODUCTS FOR ANY SUCH MISSION CRITICAL APPLICATION, YOU SHALL INDEMNIFY AND HOLD INTEL AND ITS SUBSIDIARIES, SUBCONTRACTORS AND AFFILIATES, AND THE DIRECTORS, OFFICERS, AND EMPLOYEES OF EACH, HARMLESS AGAINST ALL CLAIMS COSTS, DAMAGES, AND EXPENSES AND REASONABLE ATTORNEYS' FEES ARISING OUT OF, DIRECTLY OR INDIRECTLY, ANY CLAIM OF PRODUCT LIABILITY, PERSONAL INJURY, OR DEATH ARISING IN ANY WAY OUT OF SUCH MISSION CRITICAL APPLICATION, WHETHER OR NOT INTEL OR ITS SUBCONTRACTOR WAS NEGLIGENT IN THE DESIGN, MANUFACTURE, OR WARNING OF THE INTEL PRODUCT OR ANY OF ITS PARTS.

Intel may make changes to specifications and product descriptions at any time, without notice. Designers must not rely on the absence or characteristics of any features or instructions marked "reserved" or "undefined". Intel reserves these for future definition and shall have no responsibility whatsoever for conflicts or incompatibilities arising from future changes to them. The information here is subject to change without notice. Do not finalize a design with this information.

The products described in this document may contain design defects or errors known as errata which may cause the product to deviate from published specifications. Current characterized errata are available on request.

Should you have any issues with the timeline or content of this change, please contact the Intel Representative(s) for your geographic location listed below. No response from customers will be deemed as acceptance of the change and the change will be implemented pursuant to the key milestones set forth in this attached PCN.

Americas Contact: asmo.pcn@intel.com

Asia Pacific/PRC Contact: apacgccb@intel.com

Europe Email: eccb@intel.com

Japan Email: jccb.ijkl@intel.com

Copyright © Intel Corporation 2021. Other names and brands may be claimed as the property of others.

3D XPoint, ACEX, Altera, APEX, AnyWAN, Arria, Avalon, Axxia, BlueMoon, BunnyPeople, Celeron, Centrino, Cilk, CONVERGATE, Cyclone, Docea, eASIC, easicopy, Enpirion, Flexpipe, Hyperflex, Intel, the Intel logo, Intel Adaptix, Intel Agilex, Intel Atom, Intel CoFluent, Intel Core, Intel. Experience What's Inside, the Intel. Experience What's Inside logo, Intel Falcon, Intel Inside, the Intel Inside logo, Intel Nervana, Intel Optane, Intel RealSense, Intel Shooting Star, Intel Sirius, Intel SpeedStep, Intel Unite, Intel vPro, Intel Xeon Phi, Iris, Itanium, MAX, Movidius, Myriad, neon, Nios, OpenVINO, the OpenVINO logo, Pentium, Puma, Quark, Quartus, SICOFI, Simics, SMARTi, SoftSilicon, Sound Mark, StarPro, Stratix, the Stratix logo, Stay With It, the Engineering Stay With It logo, StreamSight, Tarari, The Journey Inside, Thunderbolt, the Thunderbolt logo, Transcede, Ultrabook, VTune, Xeon, X-GOLD, XMM, X-PMU and XPOSYS are trademarks of Intel Corporation or its subsidiaries in the U.S. and/or other countries.

Microsoft, Windows, and the Windows logo are trademarks, or registered trademarks of Microsoft Corporation in the United States and/or other countries. Java is a registered trademark of Oracle and/or its affiliates. Bluetooth is a trademark owned by its proprietor and used by Intel Corporation under license. Intel Corporation uses the Palm OS* Ready mark under license from Palm, Inc. OpenCL and the OpenCL logo are trademarks of Apple Inc. used by permission by Khronos.

Learn how to use Intel Trademarks and Brands correctly at <http://www.intel.com/intel/legal/tmusage2.htm>.