



Product Change Notification

110186 - 00

Information in this document is provided in connection with Intel products. No license, express or implied, by estoppel or otherwise, to any intellectual property rights is granted by this document. Except as provided in Intel's Terms and Conditions of Sale for such products, Intel assumes no liability whatsoever, and Intel disclaims any express or implied warranty, relating to sale and/or use of Intel products including liability or warranties relating to fitness for a particular purpose, merchantability, or infringement of any patent, copyright or other intellectual property right. Intel products are not intended for use in medical, life saving, or life sustaining applications. Intel may make changes to specifications and product descriptions at any time, without notice.

Should you have any issues with the timeline or content of this change, please contact the Intel Representative(s) for your geographic location listed below. No response from customers will be deemed as acceptance of the change and the change will be implemented pursuant to the key milestones set forth in this attached PCN.

Americas Contact: asmo.pcn@intel.com

Asia Pacific Contact: apacgccb@intel.com

Europe Email: eccb@intel.com

Japan Email: jccb.ijkk@intel.com

Copyright © Intel Corporation 2010. Other names and brands may be claimed as the property of others.

Celeron, Centrino, Intel, the Intel logo, Intel Core, Intel NetBurst, Intel NetMerge, Intel NetStructure, Intel SingleDriver, Intel SpeedStep, Intel StrataFlash, Intel Viiv, Intel XScale, Itanium, MMX, Paragon, PDCharm, Pentium, and Xeon are trademarks or registered trademarks of Intel Corporation or its subsidiaries in the United States and other countries.

Learn how to use Intel Trade Marks and Brands correctly at <http://www.intel.com/intel/legal/tmusage2.htm>.



Product Change Notification

Change Notification #: 110186 - 00
Change Title: Tooling Modification Design to Finished Goods Carrier Tape for 34mm x 34mm Products, PCN 110186-00, Transport Media, Adding Corner Relief
Date of Publication: August 16, 2010

Key Characteristics of the Change:
Transport Media

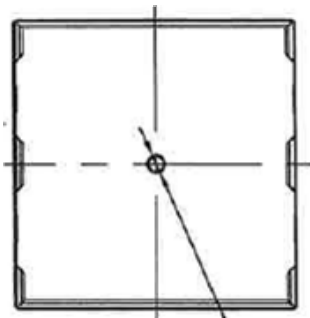
Forecasted Key Milestones:

Date Customer Must be Ready to Receive Post-Conversion Material:	September 15, 2010
---	--------------------

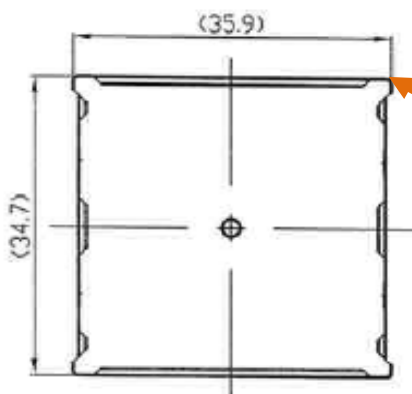
Description of Change to the Customer:

This tooling modification is to add additional corner relief on the finished goods carrier tape design which provides better clearance between Intel units and each pocket corner to avoid potential interference or difficulty in the pick/place process.

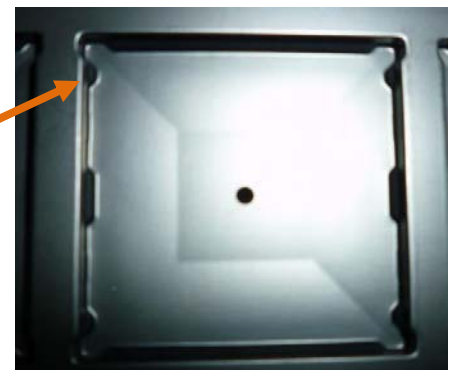
Existing Pocket Design



New Pocket Design after Tooling Modification



Corner relief X 4



Customer Impact of Change and Recommended Action:

Intel anticipates no anticipated impact to the form, fit or function of the carrier tape as per original design intent. Mixing of current carrier tape design and modified design in the same lot on different reels will occur until older stock is depleted.

Products Affected / Intel Ordering Codes:

Product Code	S-Spec	MM#
AC82G45	S LB7X	898129
AC82G43	S LB7Y	898152
AC82GM47	S LB93	898199
AC82GM45	S LB94	898200
AC82GL40	S LB95	898201
AC82GE45	S LB96	898202
AC82PM45	S LB97	898203
AC82G45	S LB84	898624
AC82G43	S LB85	898625
AC82Q43	S LB88	898629
AC82P43	S LB89	898630
AC82Q45	S LB8A	898631
AC82P45	S LB8C	898632
AC82G45S	S LB8G	899023
AC82GL40	S LGGM	900100
AC82B43	S LGL7	900668
AC82GN40	S LGPX	901619
AC82GM49	S LGPY	901620
AC82G43	S LGQ2	901881
AC82G41	S LGQ3	902020

Reference Documents / Attachments:

Document:

Location #:

PCN Revision History:

Date of Revision:

August 16, 2010

Revision Number:

00

Reason:

Originally Published PCN