



# Product Change Notification

## 111708 - 00

Information in this document is provided in connection with Intel® products. No license, express or implied, by estoppel or otherwise, to any intellectual property rights is granted by this document. Except as provided in Intel's Terms and Conditions of Sale for such products, Intel assumes no liability whatsoever, and Intel disclaims any express or implied warranty, relating to sale and/or use of Intel products including liability or warranties relating to fitness for a particular purpose, merchantability, or infringement of any patent, copyright or other intellectual property right. Intel products are not intended for use in medical, life saving, or life sustaining applications. Intel may make changes to specifications and product descriptions at any time, without notice.

Should you have any issues with the timeline or content of this change, please contact the Intel Representative(s) for your geographic location listed below. No response from customers will be deemed as acceptance of the change and the change will be implemented pursuant to the key milestones set forth in this attached PCN.

Americas Contact: [asmo.pcn@intel.com](mailto:asmo.pcn@intel.com)

Asia Pacific/PRC Contact: [apagccb@intel.com](mailto:apagccb@intel.com)

Europe Email: [eccb@intel.com](mailto:eccb@intel.com)

Japan Email: [jccb.ijkk@intel.com](mailto:jccb.ijkk@intel.com)

Copyright © Intel Corporation 2012. Other names and brands may be claimed as the property of others.

BunnyPeople, Celeron, Celeron Inside, Centrino, Centrino Inside, Cilk, Core Inside, i960, Intel, the Intel logo, Intel AppUp, Intel Atom, Intel Atom Inside, Intel Core, Intel Inside, Intel Insider, the Intel Inside logo, Intel NetBurst, Intel NetMerge, Intel NetStructure, Intel SingleDriver, Intel SpeedStep, Intel Sponsors of Tomorrow, the Intel Sponsors of Tomorrow logo, Intel StrataFlash, Intel vPro, Intel XScale, InTru, the InTru logo, the InTru Inside logo, InTru soundmark, Itanium, Itanium Inside, MCS, MMX, Moblin, Pentium, Pentium Inside, Puma, skool, the skool logo, Sound Mark, The Creators Project, The Journey Inside, Thunderbolt, vPro Inside, VTune, Xeon, and Xeon Inside are trademarks of Intel Corporation in the U.S. and/or other countries.

Learn how to use Intel Trademarks and Brands correctly at <http://www.intel.com/intel/legal/tmusage2.htm>.



# Product Change Notification

**Change Notification #:** 111708 - 00  
**Change Title:** Intel® Server System P4304BTL SFCNR  
PCN 111708-00, Product Design  
Update Cables  
**Date of Publication:** August 23, 2012

## Key Characteristics of the Change:

Product Design

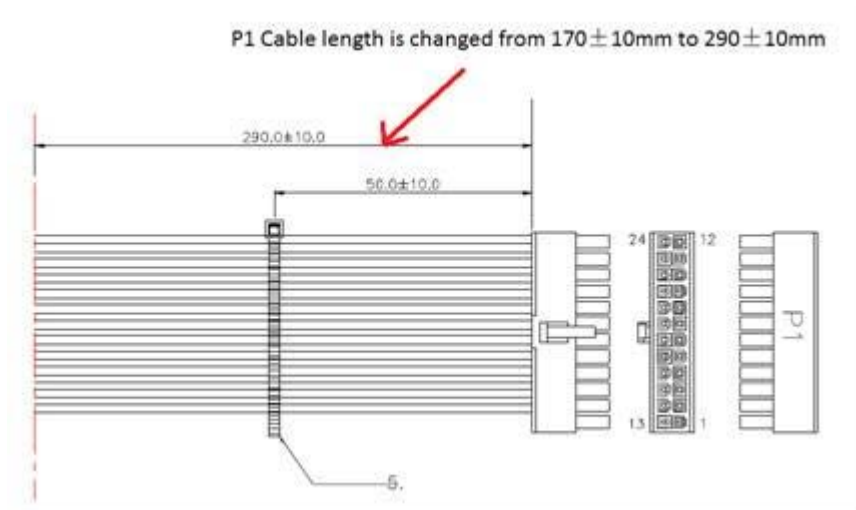
## Forecasted Key Milestones:

<b>Date Customer Must be Ready to Receive Post-Conversion Material:</b>	Sep 07, 2012
---	--------------

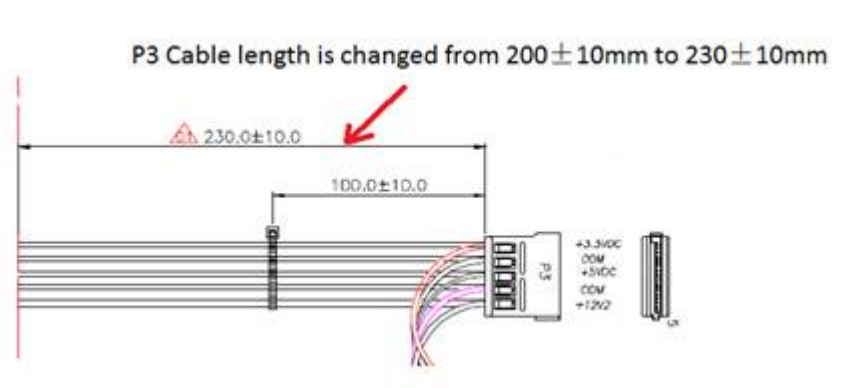
## Description of Change to the Customer:

Power supply part number of Intel® Server System P4304BTL SFCNR is changing from E95763-005 to E95763-006 and the following changes will apply:

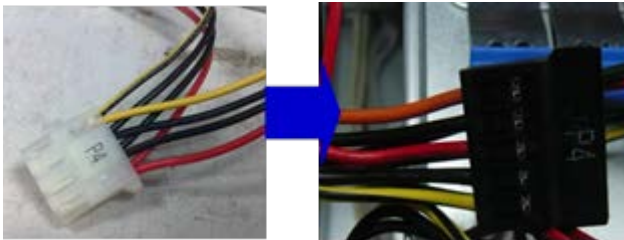
1. Change the cable length of P1 from 170mm to 290mm



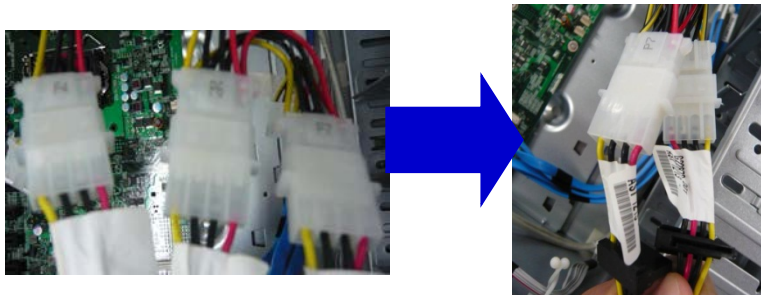
2. Change the cable length of P3 from 200mm to 230mm.



3. Change P4 from 4 pin peripheral connector to 5 pin SATA connector.



4. Decrease the quantity of adapter cable (G22872-001) from three to two.



### Customer Impact of Change and Recommended Action:

Intel anticipates no impact to customers; no action is recommended or required.

### Products Affected / Intel Ordering Codes:

Product Code	MM#	Pre Change TA	Post Change TA
P4304BTLSFCNR	920614	G63613-001	G63613-002

### PCN Revision History:

**Date of Revision:**

August 23, 2012

**Revision Number:**

00

**Reason:**

Originally Published PCN