



Product Change Notification

Change Notification #: 117395 - 00
Change Title: Obsolete Old Technology Trays and Transferring to Newer Technology Trays, PCN 117395-00, Transport Media, Tray Part Number Change
Date of Publication: February 05, 2020

Key Characteristics of the Change:

Transport Media

Forecasted Key Milestones:

| | |
|---|---------------|
| Date Customer Must be Ready to Receive Post-Conversion Material: | April 1, 2020 |
|---|---------------|





Description of Change to the Customer:

Due to continuous improvement, Intel will begin discontinuing the use of select older technology Thermoform Trays (TFT) and replace them with newer technology Thermoform Trays (TFT) and Plastic Injected Molded Tray (PIMT) where applicable.

The difference between the current (older) technology trays and the newer technology trays is found in the design, where the Female Design will hold parts better and make it easier to pick units out of the tray than the Male Design.

The color of the “To-Be” trays could be different from “Current” trays. All trays are standard JEDEC trays with no change to dimensions or packaging.

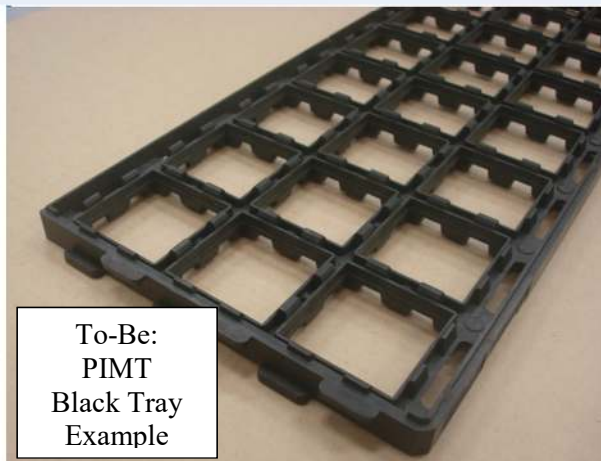
See Pictures below:

| Type | Description | Example |
|----------------|---|---|
| Male Tooling |  <p>For a male design part, the heated material sheet form onto the male tooling.</p> |  <p>Old Tray</p> |
| Female Tooling |  <p>For a female design part, the heated material sheet form into the female tooling. In overall, female forming can achieve better material distribution, with the assist of temperature controlled plug.</p> |  <p>New Tray</p> |

Tray Part Number Table

| Current Older Technology Tray IPN | Current Form Factor | Tray Type & Color | New Technology Tray IPN as Replacement | Future Form Factor | Tray Type & Color |
|-----------------------------------|---------------------|-------------------|--|--------------------|-------------------|
| 500038991 | 37.5 x 37.5 mm | TFT (Black/White) | 500212706 | 37.5 x 37.5 mm | TFT (Dark Grey) |
| 500083996 | 42.5 x 45 mm | TFT (Dark Grey) | 500145486 | 42.5 x 45 mm | TFT (Dark Grey) |
| A60303-001 | 35 x 35mm | TFT (Black/White) | 500020266 | 35 x 35mm | PIMT (Black) |

Pictures of Trays for Example Only



Customer Impact of Change and Recommended Action:

This will make it easier for customers to pick units out of the tray and standardize the methodology for packing tray media. The Intel Part Number (IPN) will change, whereas the *Tray Type & Color* will only change according to part number (refer to **Tray Part Number Table** above).

Customers can expect orders to be shipped to them using the older trays, the new trays, or a mixture of both types of trays (each boxed separately in tray boxes and added to a larger intermediate box to fill the order). These shipping options will continue until such time as the older tray inventory has been depleted.

Please see your Intel representative for any questions or concerns.

Products Affected / Intel Ordering Codes:

| Marketing Name | Platform | Product Code | S-Spec | MM# |
|-----------------------------------|----------|-----------------|--------|--------|
| Intel® Xeon® Processor E5540 | SERVER | AT80602000789AA | S LBF6 | 900838 |
| Intel® Xeon® Processor E5504 | SERVER | AT80602000801AA | S LBF9 | 900842 |
| Intel® Xeon® Processor L5518 | SERVER | AT80602002265AB | S LBFW | 901505 |
| Intel® Xeon® Processor L5508 | SERVER | AT80602002697AC | S LBGK | 901549 |
| Intel® Xeon® Processor E5620 | SERVER | AT80614005073AB | S LBV4 | 907407 |
| Intel® Xeon® Processor E5645 | SERVER | AT80614003597AC | S LBWZ | 907784 |
| Intel® Xeon® Processor L5618 | SERVER | AT80614005079AB | S LBX3 | 907786 |
| Intel® Xeon® Processor L5638 | SERVER | AT80614003591AB | S LBWY | 907805 |
| Intel® Xeon® Processor EC5549 | SERVER | AT80612005712AB | S LBWP | 907831 |
| Intel® Xeon® Processor LC5518 | SERVER | AT80612002928AC | S LBWF | 907832 |
| Intel® Xeon® Processor LC3528 | SERVER | AT80612002931AB | S LBWG | 907833 |
| Intel® Xeon® Processor LC3518 | SERVER | AT80612002946AA | S LBWH | 907834 |
| Intel® Xeon® Processor EC5539 | SERVER | AT80612003861AB | S LBWL | 907835 |
| Intel® Celeron® Processor P1053 | SERVER | AT80612004743AA | S LBWN | 907836 |
| Intel® Xeon® Processor EC3539 | SERVER | AT80612003090AA | S LBWJ | 907838 |
| Intel® Xeon® Processor LC5528 | SERVER | AT80612003858AA | S LBWK | 907839 |
| Intel® Pentium® Processor G6950 | DESKTOP | CM80616004593AE | S LBTG | 907931 |
| Intel® Core™ i5-660 Processor | DESKTOP | CM80616003177AC | S LBTK | 907933 |
| Intel® Core™ i5-2400 Processor | DESKTOP | CM8062300834106 | S R00Q | 909492 |
| Intel® Xeon® Processor E3-1225 | SERVER | CM8062307262304 | S R00G | 909571 |
| Intel® Core™ i3-2120 Processor | DESKTOP | CM8062301044204 | S R05Y | 910591 |
| Intel® Pentium® Processor G850 | DESKTOP | CM8062301046204 | S R05Q | 910595 |
| Intel® Celeron® Processor G540 | DESKTOP | CM8062301046804 | S R05J | 910601 |
| Intel® Xeon® Processor E5-2430 | SERVER | CM8062001122601 | S R0LM | 919288 |
| Intel® Xeon® Processor E5-2403 | SERVER | CM8062001048300 | S R0LS | 919306 |
| Intel® Xeon® Processor E5-2448L | SERVER | CM8062007187409 | S R0M2 | 919358 |
| Intel® Xeon® Processor E5-2428L | SERVER | CM8062007187509 | S R0M3 | 919364 |
| Intel® Xeon® Processor E5-2418L | SERVER | CM8062000911406 | S R0M5 | 919371 |
| Intel® Xeon® Processor E5-1408L | SERVER | CM8062001092200 | S R0M6 | 919375 |
| Intel® Pentium® Processor 1405 | SERVER | CM8062001093700 | S R0M7 | 919378 |
| Intel® Core™ i5-3550S Processor | DESKTOP | CM8063701095203 | S R0P3 | 919960 |
| Intel® Xeon® Processor E3-1275 v2 | SERVER | CM8063701098702 | S R0PA | 919967 |

| Marketing Name | Platform | Product Code | S-Spec | MM# |
|-----------------------------------|-----------------|---------------------|---------------|------------|
| Intel® Xeon® Processor E3-1225 v2 | SERVER | CM8063701160603 | S R0PJ | 919975 |
| Intel® Core™ i7-3770 Processor | DESKTOP | CM8063701211600 | S R0PK | 919976 |
| Intel® Core™ i3-3220 Processor | DESKTOP | CM8063701137502 | S R0RG | 920964 |
| Intel® Pentium® Processor G2120 | DESKTOP | CM8063701095801 | S R0UF | 922107 |
| Intel® Celeron® Processor G1620 | DESKTOP | CM8063701445001 | S R10L | 924946 |

PCN Revision History:

Date of Revision:

February 5, 2020

Revision Number:

00

Reason:

Originally Published PCN



Product Change Notification

117395 - 00

INFORMATION IN THIS DOCUMENT IS PROVIDED IN CONNECTION WITH INTEL PRODUCTS. NO LICENSE, EXPRESS OR IMPLIED, BY ESTOPPEL OR OTHERWISE, TO ANY INTELLECTUAL PROPERTY RIGHTS IS GRANTED BY THIS DOCUMENT. EXCEPT AS PROVIDED IN INTEL'S TERMS AND CONDITIONS OF SALE FOR SUCH PRODUCTS, INTEL ASSUMES NO LIABILITY WHATSOEVER AND INTEL DISCLAIMS ANY EXPRESS OR IMPLIED WARRANTY, RELATING TO SALE AND/OR USE OF INTEL PRODUCTS INCLUDING LIABILITY OR WARRANTIES RELATING TO FITNESS FOR A PARTICULAR PURPOSE, MERCHANTABILITY, OR INFRINGEMENT OF ANY PATENT, COPYRIGHT OR OTHER INTELLECTUAL PROPERTY RIGHT.

A "Mission Critical Application" is any application in which failure of the Intel Product could result, directly or indirectly, in personal injury or death. SHOULD YOU PURCHASE OR USE INTEL'S PRODUCTS FOR ANY SUCH MISSION CRITICAL APPLICATION, YOU SHALL INDEMNIFY AND HOLD INTEL AND ITS SUBSIDIARIES, SUBCONTRACTORS AND AFFILIATES, AND THE DIRECTORS, OFFICERS, AND EMPLOYEES OF EACH, HARMLESS AGAINST ALL CLAIMS COSTS, DAMAGES, AND EXPENSES AND REASONABLE ATTORNEYS' FEES ARISING OUT OF, DIRECTLY OR INDIRECTLY, ANY CLAIM OF PRODUCT LIABILITY, PERSONAL INJURY, OR DEATH ARISING IN ANY WAY OUT OF SUCH MISSION CRITICAL APPLICATION, WHETHER OR NOT INTEL OR ITS SUBCONTRACTOR WAS NEGLIGENT IN THE DESIGN, MANUFACTURE, OR WARNING OF THE INTEL PRODUCT OR ANY OF ITS PARTS.

Intel may make changes to specifications and product descriptions at any time, without notice. Designers must not rely on the absence or characteristics of any features or instructions marked "reserved" or "undefined". Intel reserves these for future definition and shall have no responsibility whatsoever for conflicts or incompatibilities arising from future changes to them. The information here is subject to change without notice. Do not finalize a design with this information.

The products described in this document may contain design defects or errors known as errata which may cause the product to deviate from published specifications. Current characterized errata are available on request.

Should you have any issues with the timeline or content of this change, please contact the Intel Representative(s) for your geographic location listed below. No response from customers will be deemed as acceptance of the change and the change will be implemented pursuant to the key milestones set forth in this attached PCN.

Americas Contact: asmo.pcn@intel.com

Asia Pacific/PRC Contact: apacgccb@intel.com

Europe Email: eccb@intel.com

Japan Email: jccb.ijkk@intel.com

Copyright © Intel Corporation 2020. Other names and brands may be claimed as the property of others.

3D XPoint, ACEX, Altera, APEX, AnyWAN, Arria, Avalon, Axxia, BlueMoon, BunnyPeople, Celeron, Centrino, Cilk, CONVERGATE, Cyclone, Docea, eASIC, easicopy, Enpirion, Flexpipe, Hyperflex, Intel, the Intel logo, Intel Adaptix, Intel Agilex, Intel Atom, Intel CoFluent, Intel Core, Intel. Experience What's Inside, the Intel. Experience What's Inside logo, Intel Falcon, Intel Inside, the Intel Inside logo, Intel Nervana, Intel Optane, Intel RealSense, Intel Shooting Star, Intel Sirius, Intel SpeedStep, Intel Unite, Intel vPro, Intel Xeon Phi, Iris, Itanium, MAX, Movidius, Myriad, neon, Nios, OpenVINO, the OpenVINO logo, Pentium, Puma, Quark, Quartus, SICOFI, Simics, SMARTi, SoftSilicon, Sound Mark, StarPro, Stratix, the Stratix logo, Stay With It, the Engineering Stay With It logo, StreamSight, Tarari, The Journey Inside, Thunderbolt, the Thunderbolt logo, Transcede, Ultrabook, VTune, Xeon, X-GOLD, XMM, X-PMU and XPOSYS are trademarks of Intel Corporation or its subsidiaries in the U.S. and/or other countries.

Microsoft, Windows, and the Windows logo are trademarks, or registered trademarks of Microsoft Corporation in the United States and/or other countries. Java is a registered trademark of Oracle and/or its affiliates. Bluetooth is a trademark owned by its proprietor and used by Intel Corporation under license. Intel Corporation uses the Palm OS® Ready mark under license from Palm, Inc. OpenCL and the OpenCL logo are trademarks of Apple Inc. used by permission by Khronos.

Learn how to use Intel Trademarks and Brands correctly at <http://www.intel.com/intel/legal/tmusage2.htm>.