



Product Change Notification

Change Notification #: 115062 - 00

Change Title: Intel® Gigabit CT Desktop Adapter
Product Codes EXPI9301CT &
EXPI9301CTBLK MM#s 893646 & 893647
Intel® Gigabit CT2 Desktop Adapter
Product Code E1G31CTG1P20 MM#908804
Intel® Ethernet Converged Network Adapter
X520 - SR2 Product Codes E10G42BFSR &
E10G42BFSRBLK & E10G42BFSRG1P5
MM#s900137 & 927247 & 901223
Intel® Ethernet Converged Network Adapter
X520 - SR1 Product Codes E10G41BFSR &
E10G41BFSRBLK & E10G41BFSRG1P5
MM#s900141 & 927757 & 901222
Intel® Ethernet Converged Network Adapter
X520 - LR1 Product Codes E10G41BFLR &
E10G41BFLRBLK MM#s 900140 & 927248
Intel® Ethernet Converged Network Adapter
X520 - DA1 Product Code E10G41BTDAG1P5
MM#901226
Intel® Eth Converged Network Adapter
X520 - DA2 Product Code EX520DA2G2P5
MM#913120
Intel® Eth Converged Network Adapter X520 -
DA2 Product Codes E10G42BTDA &
E10G42BTDABLK & E10G42BTDAG1P5
MM#s 900139 & 927249 & 901227
PCN 115062-00, Transport Media,
Outer box and Clamshell being updated

Date of Publication: November 09, 2016

Key Characteristics of the Change:

Transport Media

Forecasted Key Milestones:

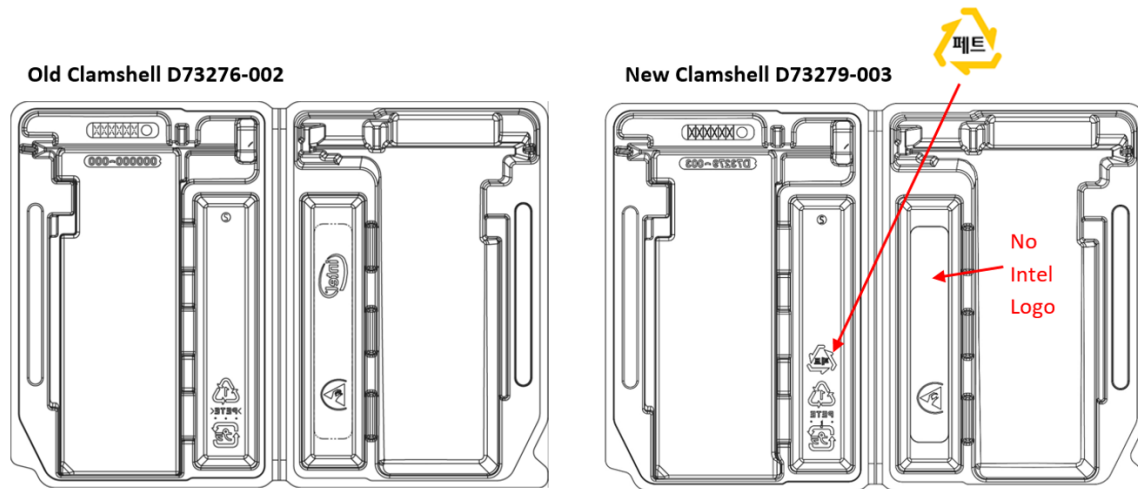
Date Customer Must be Ready to Receive Post-Conversion Material:	Dec 23, 2016
---	--------------

Description of Change to the Customer:

These Intel products will undergo the following change:

- Spring Fountain E10G42BFSR
- Spring Fountain E10G42BFSRBLK
- Spring Fountain E10G42BFSRG1P5
- Spring Fountain E10G41BFSR
- Spring Fountain E10G41BFSRBLK
- Spring Fountain E10G41BFSRG1P5
- Spring Fountain E10G41BFLR
- Spring Fountain E10G41BFLRBLK
- Spring Fountain E10G41BTDAG1P5
- Spring Fountain EX520DA2G2P5
- Spring Fountain E10G42BTDA
- Spring Fountain E10G42BTDABLK
- Spring Fountain E10G42BTDAG1P5

South Korea instituted revised Packaging Recycling legislation adding the below mark to the clamshell. The Intel logo will be removed from the clamshell. The part number on the clamshell will be updated from D73276-002 to D73279-003.

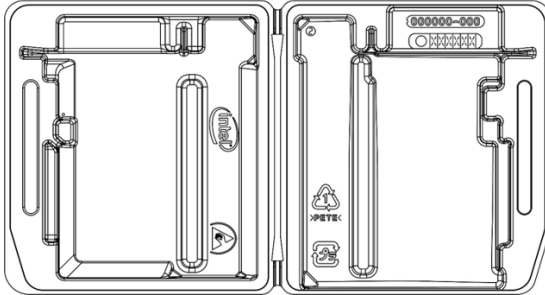


These products will undergo the following change:

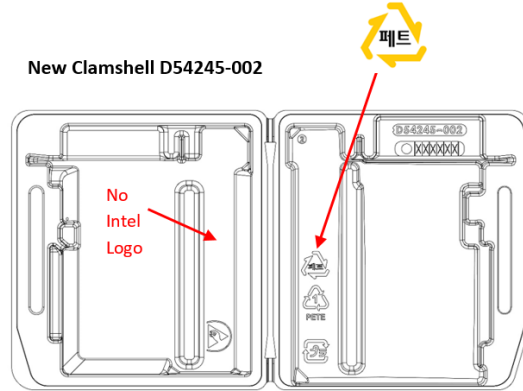
- Shelter Island EXPI9301CT
- Shelter Island EXPI9301CTBLK
- Shelter Island II E1G31CTG1P20

South Korea instituted revised Packaging Recycling legislation adding the below mark to the clamshell. The Intel logo will be removed from the clamshell. The part number on the clamshell will be updated from D54245-001 to D54245-002.

Old Clamshell D54245-001



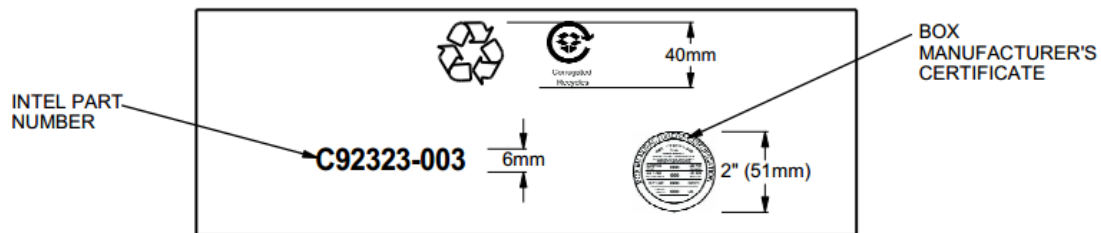
New Clamshell D54245-002



These Intel products will undergo this additional change:

- Spring Fountain E10G42BFSRBLK
- Spring Fountain E10G42BFSRG1P5
- Spring Fountain E10G41BFSRBLK
- Spring Fountain E10G41BFSRG1P5
- Spring Fountain E10G41BFLRBLK
- Spring Fountain E10G41BTDAG1P5
- Spring Fountain EX520DA2G2P5
- Spring Fountain E10G42BTDABLK
- Spring Fountain E10G42BTDAG1P5

The outer box is updating to a thicker corrugated lining to help reinforce box strength for shipping. The part number on the box will go from C92323-002 to C92323-003 as shown:



Customer Impact of Change and Recommended Action:

Intel anticipates no impact to customers.

Customer can expect to receive mixed inventory.

Please contact your local Intel Field Sales Rep if you have any further questions about these changes.

Products Affected / Intel Ordering Codes:

Product Code	MM#
EXPI9301CT	893646
EXPI9301CTBLK	893647
E10G42BFSR	900137
E10G42BTDA	900139
E10G41BFLR	900140
E10G41BFSR	900141
E10G41BFSRG1P5	901222
E10G42BFSRG1P5	901223
E10G41BTDAG1P5	901226
E10G42BTDAG1P5	901227
E1G31CTG1P20	908804
EX520DA2G2P5	913120
E10G42BFSRBLK	927247
E10G41BFLRBLK	927248
E10G42BTDABLK	927249
E10G41BFSRBLK	927757

PCN Revision History:

Date of Revision:

November 9, 2016

Revision Number:

00

Reason:

Originally Published PCN



Product Change Notification

115062 - 00

INFORMATION IN THIS DOCUMENT IS PROVIDED IN CONNECTION WITH INTEL PRODUCTS. NO LICENSE, EXPRESS OR IMPLIED, BY ESTOPPEL OR OTHERWISE, TO ANY INTELLECTUAL PROPERTY RIGHTS IS GRANTED BY THIS DOCUMENT. EXCEPT AS PROVIDED IN INTEL'S TERMS AND CONDITIONS OF SALE FOR SUCH PRODUCTS, INTEL ASSUMES NO LIABILITY WHATSOEVER AND INTEL DISCLAIMS ANY EXPRESS OR IMPLIED WARRANTY, RELATING TO SALE AND/OR USE OF INTEL PRODUCTS INCLUDING LIABILITY OR WARRANTIES RELATING TO FITNESS FOR A PARTICULAR PURPOSE, MERCHANTABILITY, OR INFRINGEMENT OF ANY PATENT, COPYRIGHT OR OTHER INTELLECTUAL PROPERTY RIGHT.

A "Mission Critical Application" is any application in which failure of the Intel Product could result, directly or indirectly, in personal injury or death. SHOULD YOU PURCHASE OR USE INTEL'S PRODUCTS FOR ANY SUCH MISSION CRITICAL APPLICATION, YOU SHALL INDEMNIFY AND HOLD INTEL AND ITS SUBSIDIARIES, SUBCONTRACTORS AND AFFILIATES, AND THE DIRECTORS, OFFICERS, AND EMPLOYEES OF EACH, HARMLESS AGAINST ALL CLAIMS COSTS, DAMAGES, AND EXPENSES AND REASONABLE ATTORNEYS' FEES ARISING OUT OF, DIRECTLY OR INDIRECTLY, ANY CLAIM OF PRODUCT LIABILITY, PERSONAL INJURY, OR DEATH ARISING IN ANY WAY OUT OF SUCH MISSION CRITICAL APPLICATION, WHETHER OR NOT INTEL OR ITS SUBCONTRACTOR WAS NEGLIGENT IN THE DESIGN, MANUFACTURE, OR WARNING OF THE INTEL PRODUCT OR ANY OF ITS PARTS.

Intel may make changes to specifications and product descriptions at any time, without notice. Designers must not rely on the absence or characteristics of any features or instructions marked "reserved" or "undefined". Intel reserves these for future definition and shall have no responsibility whatsoever for conflicts or incompatibilities arising from future changes to them. The information here is subject to change without notice. Do not finalize a design with this information.

The products described in this document may contain design defects or errors known as errata which may cause the product to deviate from published specifications. Current characterized errata are available on request.

Should you have any issues with the timeline or content of this change, please contact the Intel Representative(s) for your geographic location listed below. No response from customers will be deemed as acceptance of the change and the change will be implemented pursuant to the key milestones set forth in this attached PCN.

Americas Contact: asmo.pcn@intel.com

Asia Pacific/PRC Contact: apacgccb@intel.com

Europe Email: eccb@intel.com

Japan Email: jccb.ijkk@intel.com

Copyright © Intel Corporation 2016. Other names and brands may be claimed as the property of others.

BunnyPeople, Celeron, Celeron Inside, Centrino, Centrino Inside, Cilk, Core Inside, i960, Intel, the Intel logo, Intel AppUp, Intel Atom, Intel Atom Inside, Intel Core, Intel Inside, Intel Insider, the Intel Inside logo, Intel NetBurst, Intel NetMerge, Intel NetStructure, Intel SingleDriver, Intel SpeedStep, Intel Sponsors of Tomorrow, the Intel Sponsors of Tomorrow logo, Intel StrataFlash, Intel vPro, Intel XScale, InTru, the InTru logo, the InTru Inside logo, InTru soundmark, Itanium, Itanium Inside, MCS, MMX, Moblin, Pentium, Pentium Inside, Puma, skool, the skool logo, Sound Mark, The Creators Project, The Journey Inside, Thunderbolt, vPro Inside, VTune, Xeon, and Xeon Inside are trademarks of Intel Corporation in the U.S. and/or other countries.

Learn how to use Intel Trademarks and Brands correctly at <http://www.intel.com/intel/legal/tmusage2.htm>.