



Product Change Notification

111699 - 00

Information in this document is provided in connection with Intel® products. No license, express or implied, by estoppel or otherwise, to any intellectual property rights is granted by this document. Except as provided in Intel's Terms and Conditions of Sale for such products, Intel assumes no liability whatsoever, and Intel disclaims any express or implied warranty, relating to sale and/or use of Intel products including liability or warranties relating to fitness for a particular purpose, merchantability, or infringement of any patent, copyright or other intellectual property right. Intel products are not intended for use in medical, life saving, or life sustaining applications. Intel may make changes to specifications and product descriptions at any time, without notice.

Should you have any issues with the timeline or content of this change, please contact the Intel Representative(s) for your geographic location listed below. No response from customers will be deemed as acceptance of the change and the change will be implemented pursuant to the key milestones set forth in this attached PCN.

Americas Contact: asmo.pcn@intel.com

Asia Pacific/PRC Contact: apagccb@intel.com

Europe Email: eccb@intel.com

Japan Email: jccb.ijkk@intel.com

Copyright © Intel Corporation 2012. Other names and brands may be claimed as the property of others.

BunnyPeople, Celeron, Celeron Inside, Centrino, Centrino Inside, Cilk, Core Inside, i960, Intel, the Intel logo, Intel AppUp, Intel Atom, Intel Atom Inside, Intel Core, Intel Inside, Intel Insider, the Intel Inside logo, Intel NetBurst, Intel NetMerge, Intel NetStructure, Intel SingleDriver, Intel SpeedStep, Intel Sponsors of Tomorrow, the Intel Sponsors of Tomorrow logo, Intel StrataFlash, Intel vPro, Intel XScale, InTru, the InTru logo, the InTru Inside logo, InTru soundmark, Itanium, Itanium Inside, MCS, MMX, Moblin, Pentium, Pentium Inside, Puma, skool, the skool logo, Sound Mark, The Creators Project, The Journey Inside, Thunderbolt, vPro Inside, VTune, Xeon, and Xeon Inside are trademarks of Intel Corporation in the U.S. and/or other countries.

Learn how to use Intel Trademarks and Brands correctly at <http://www.intel.com/intel/legal/tmusage2.htm>.



Product Change Notification

Change Notification #:	111699 - 00
Change Title:	Intel® Ethernet Controller X540-AT2 MM#917469, Tray, Intel® Ethernet Controller X540-BT2 MM#920903, Tray (Twinville) PCN 111699-00 Transport Media Tray change
Date of Publication:	September 20, 2012

Key Characteristics of the Change:

Transport Media

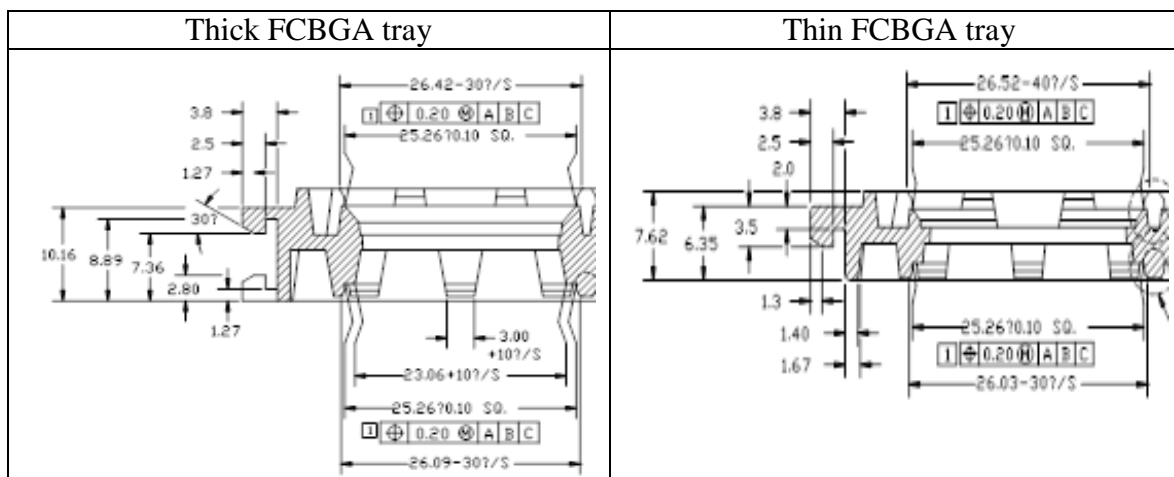
Forecasted Key Milestones:

Date Customer Must be Ready to Receive Post-Conversion Material: Oct 05, 2012

Description of Change to the Customer:

The Intel® Ethernet Controller X540-AT2 and Intel® Ethernet Controller X540-BT2 will undergo the following changes:

1. The tray used for shipping product will be changed by switching from the thick FCBGA tray to the thin FCBGA tray.
See pictures.



2. The existing package strapping will be replaced with a white strapping band in the packaging process.

Customer Impact of Change and Recommended Action:

Due to change in tray thickness, customers will have to double check the new tray is compatible with their manufacturing processes.

Please contact your local Intel Field Sales Representative if you have any further questions about the Product Transition.

Products Affected / Intel Ordering Codes:

Marketing Name	Product Code	S-Spec	MM#
Intel® Ethernet Controller X540-AT2, Tray (Twinville)	JLX540AT2	S LJEJ	917469
Intel® Ethernet Controller X540-BT2, Tray (Twinville)	JLX540BT2	S LJNW	920903

PCN Revision History:

Date of Revision:	Revision Number:	Reason:
September 20, 2012	00	Originally Published PCN