



Product Change Notification

110466 – 00

Information in this document is provided in connection with Intel products. No license, express or implied, by estoppel or otherwise, to any intellectual property rights is granted by this document. Except as provided in Intel's Terms and Conditions of Sale for such products, Intel assumes no liability whatsoever, and Intel disclaims any express or implied warranty, relating to sale and/or use of Intel products including liability or warranties relating to fitness for a particular purpose, merchantability, or infringement of any patent, copyright or other intellectual property right. Intel products are not intended for use in medical, life saving, or life sustaining applications. Intel may make changes to specifications and product descriptions at any time, without notice.

Should you have any issues with the timeline or content of this change, please contact the Intel Representative(s) for your geographic location listed below. No response from customers will be deemed as acceptance of the change and the change will be implemented pursuant to the key milestones set forth in this attached PCN.

Americas Contact: asmo.pcn@intel.com

Asia Pacific Contact: apacgccb@intel.com

Europe Email: eccb@intel.com

Japan Email: jccb.ijkk@intel.com

Copyright © Intel Corporation 2011. Other names and brands may be claimed as the property of others.

Celeron, Centrino, Intel, the Intel logo, Intel Core, Intel NetBurst, Intel NetMerge, Intel NetStructure, Intel SingleDriver, Intel SpeedStep, Intel StrataFlash, Intel Viiv, Intel XScale, Itanium, MMX, Paragon, PDCharm, Pentium, and Xeon are trademarks or registered trademarks of Intel Corporation or its subsidiaries in the United States and other countries.

Learn how to use Intel Trade Marks and Brands correctly at <http://www.intel.com/intel/legal/tmusage2.htm>.



Product Change Notification

Change Notification #: 110466 - 00

Change Title: Select Intel® 6 Series Chipsets, PCN 110466-00, Transport Media, Carrier tape pocket size change from 25.3mm to 25.5mm

Date of Publication: February 16, 2011

Key Characteristics of the Change:

Transport Media

Forecasted Key Milestones:

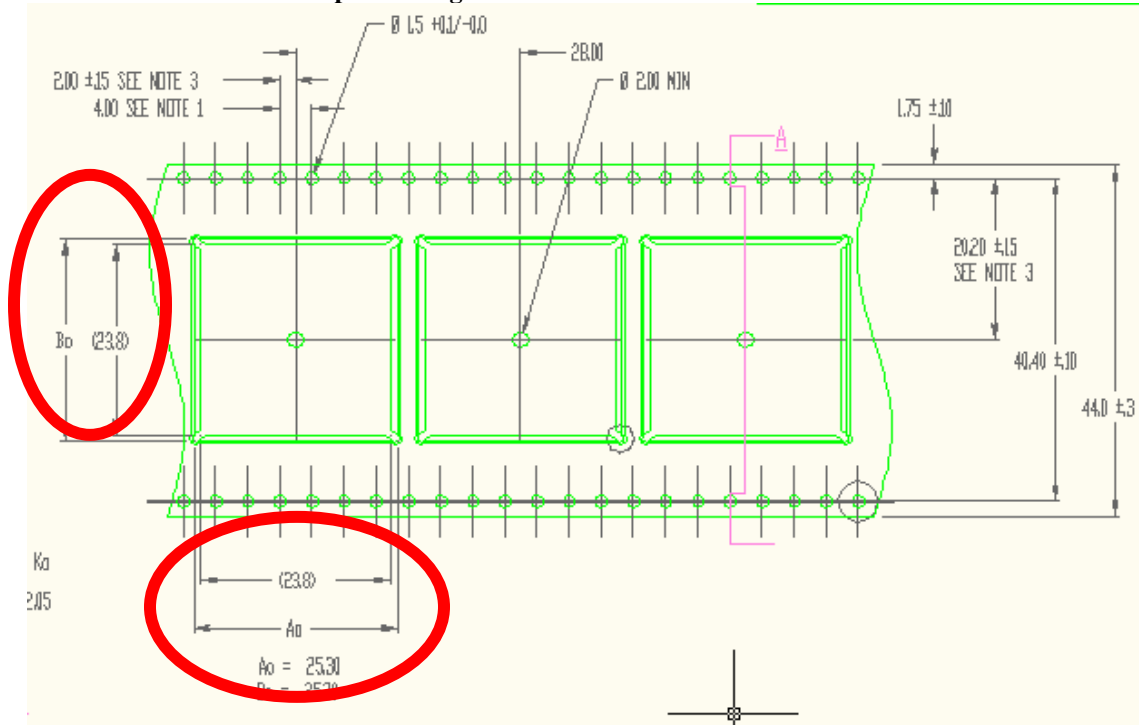
Date Customer Must be Ready to Receive Post-Conversion Material:	Mar 16, 2011
---	--------------

The depletion of inventory may be impacted by fluctuating supply and demand, therefore, although customers should be prepared to receive the Post-Converted Materials on this date, Intel will continue to ship and customers may continue to receive the pre-converted materials until the inventory has been depleted.

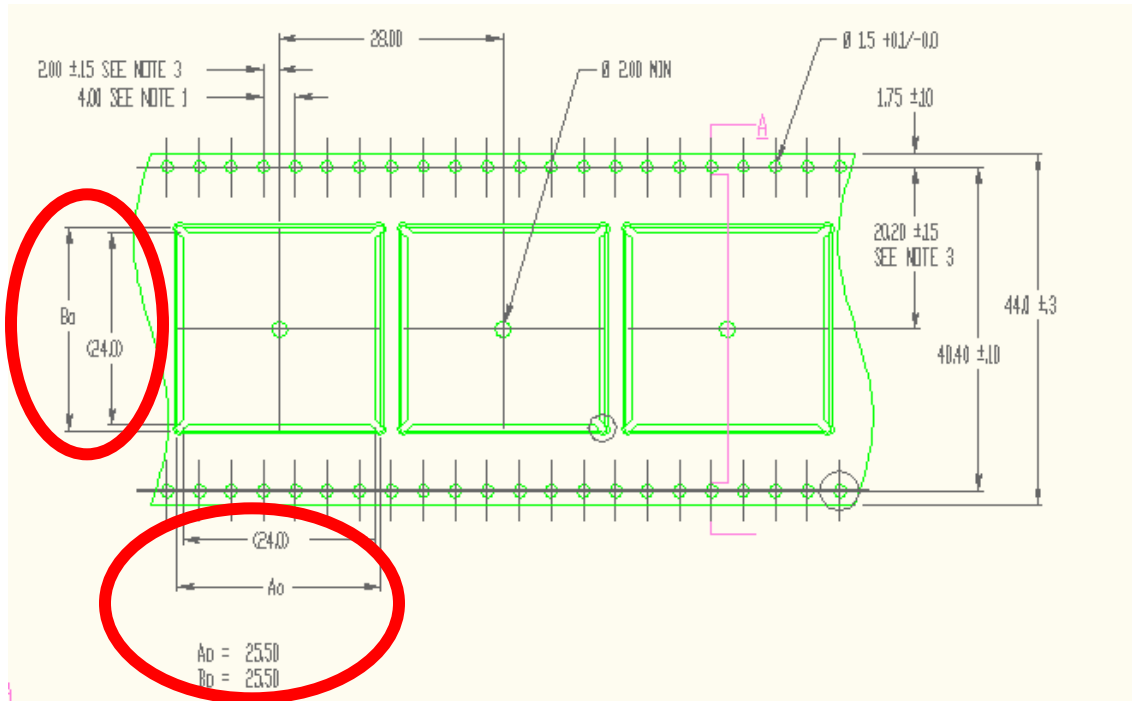
Description of Change to the Customer:

To minimize the potential risk of mobile units tilting and shifting from the pocket center, the current mobile carrier tape pocket size will be changed from 25.3mm to 25.5mm. Other key parameters remain the same. Please refer to drawings below for details.

Current 25.3mm carrier tape drawing:



New 25.5mm carrier tape drawing:



Customer Impact of Change and Recommended Action:

Intel expects no impact to customers.

Products Affected / Intel Ordering Codes:

Marketing Name	Product Code	S-Spec	MM#	Stepping
Intel® BD82QM67 Platform Controller Hub	BD82QM67	S LH9B	908749	B2
Intel® BD82HM67 Platform Controller Hub	BD82HM67	S LH9C	908752	B2
Intel® BD82HM65 Platform Controller Hub	BD82HM65	S LH9D	908753	B2
Intel® BD82UM67 Platform Controller Hub	BD82UM67	S LH9U	909215	B2
Intel® BD82UM67 Platform Controller Hub	BD82UM67	S LJ4L	914324	B3
Intel® BD82QM67 Platform Controller Hub	BD82QM67	S LJ4M	914325	B3
Intel® BD82HM67 Platform Controller Hub	BD82HM67	S LJ4N	914376	B3
Intel® BD82HM65 Platform Controller Hub	BD82HM65	S LJ4P	914377	B3

PCN Revision History:

Date of Revision:

Feb 16, 2011

Revision Number:

00

Reason:

Originally Published PCN