



Product Change Notification

Change Notification #: 116123 - 00

Change Title: Intel® Server Chassis R1304WFXXX and R2000WFXXX, Intel® Server Systems R1304WFTYS, R1304WF0YS, R1208WFTYS, R2308WFTZS, R2208WF0ZS, R2208WFTZS, R2208WFQZS, R2312WF0NP, R2312WFTZS, R2312WFQZS, R2224WFQZS, R2224WFTZS, PCN 116123-00, Product Design, Order Code, Rear panel and rear brackets new design

Date of Publication: February 27, 2018

Key Characteristics of the Change:

Product Design, Order Code

Forecasted Key Milestones:

Date Customer Must be Ready to Receive Post-Conversion Material: *	April 27, 2018
---	----------------

* Intel appreciates the customer's desire to receive the latest revision of products. However, Intel manages inventory on a first in first out (FIFO) basis at the MM# level. Subsequently, customer requests for a specific revision of material (below the MM#) will not be supported by Intel.

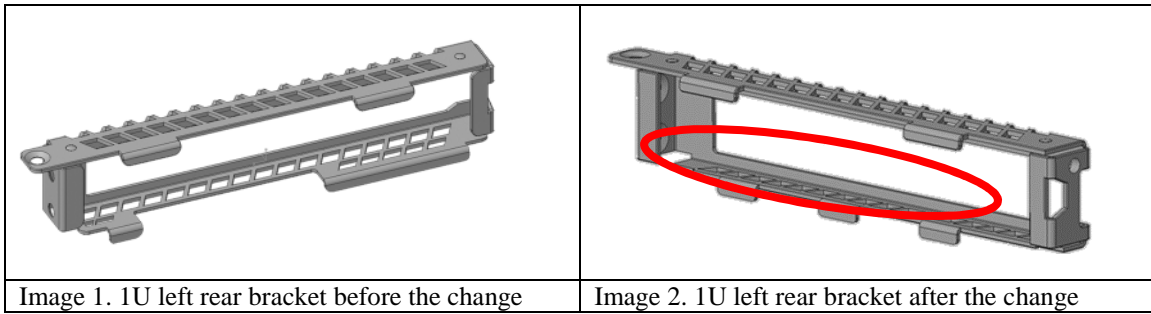
Description of Change to the Customer:

The Intel® Server Chassis and Intel® Server Systems listed in the "products affected" table are being affected by the following list of changes to improve the connection of Small Form-factor Pluggable transceiver (SFP+) cables on the rear panel and the miniSAS connection.

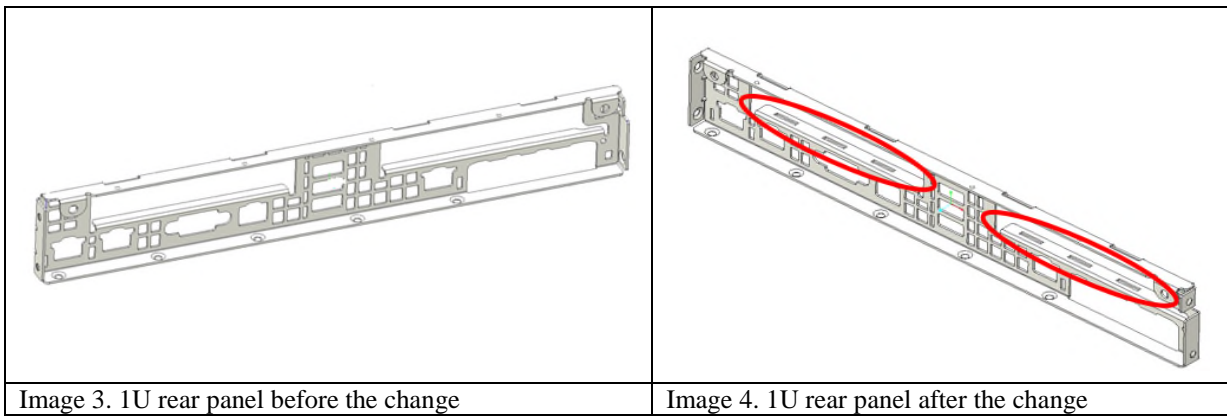
As a consequence of these changes the rear brackets and risers on the 1U and 2U systems and chassis are modifying the MM.

The 1U systems and chassis changes are:

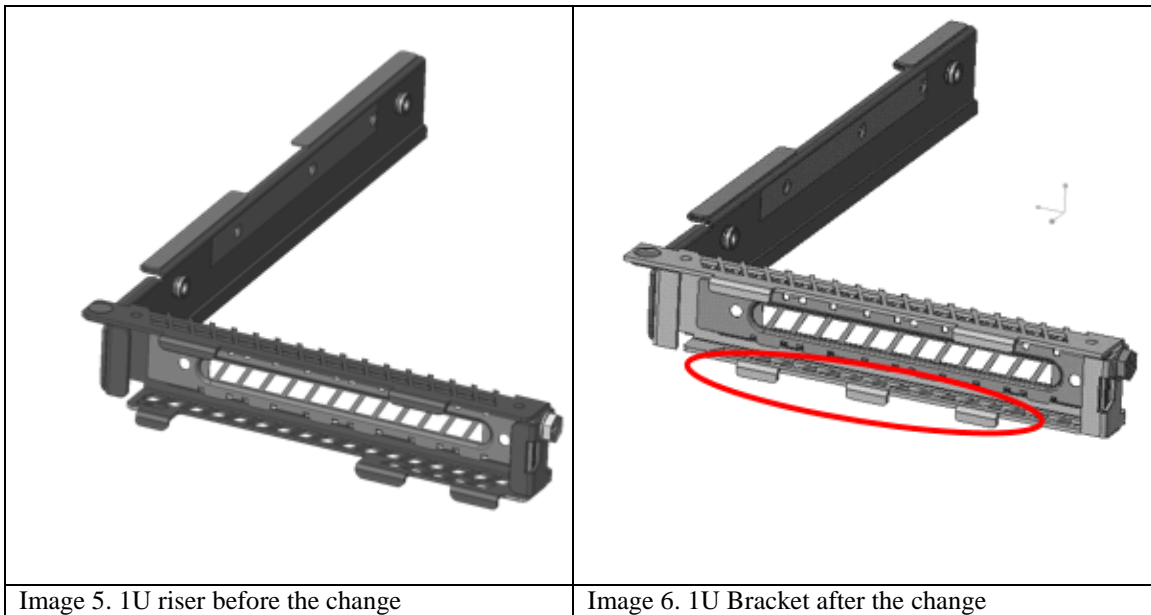
1. Change the design of the left rear bracket



2. Adding holes to the rear panel



3. Riser bracket new design.



The 2U systems and chassis changes are:

1. Adding holes to the rear panel.

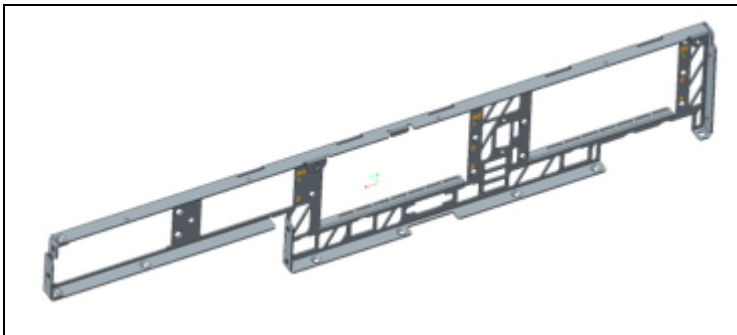


Image 7. Rear Panel before the change

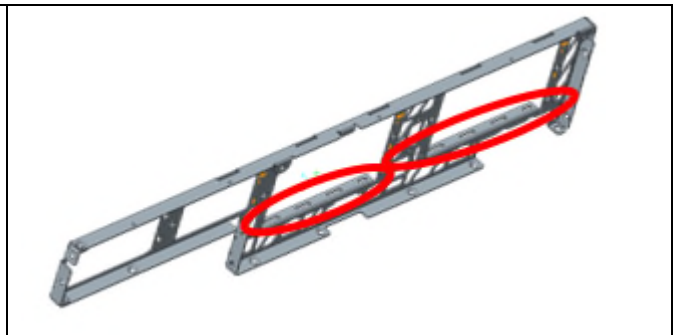


Image 8. Rear Panel after the change

2. The center rear bracket has a new design

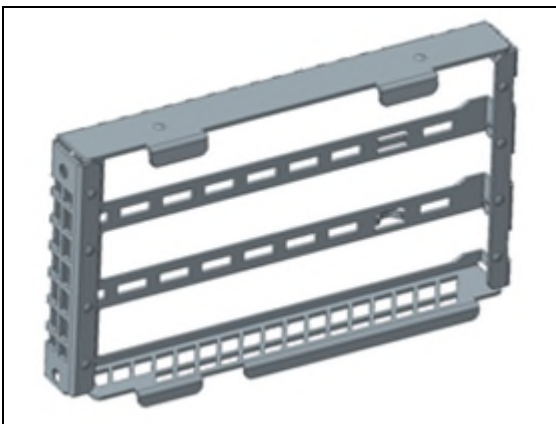


Image 9. Rear center bracket before the change

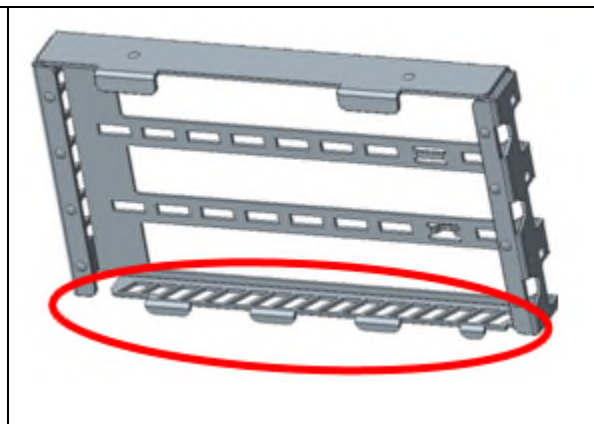


Image 10. Rear center bracket after the change

3. Remove the stopper of the left rear bracket on the rear panel

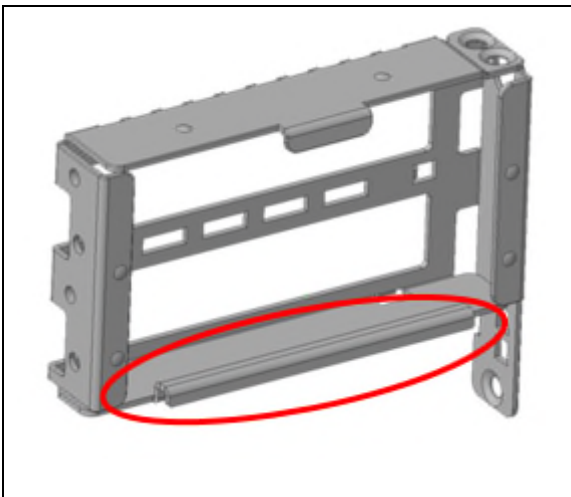


Image 11. Bracket before the change

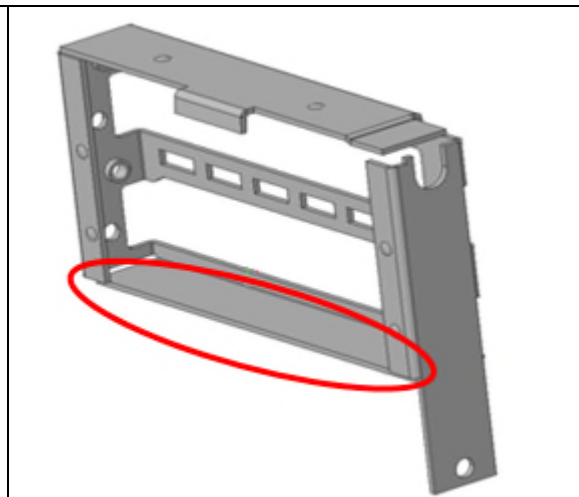
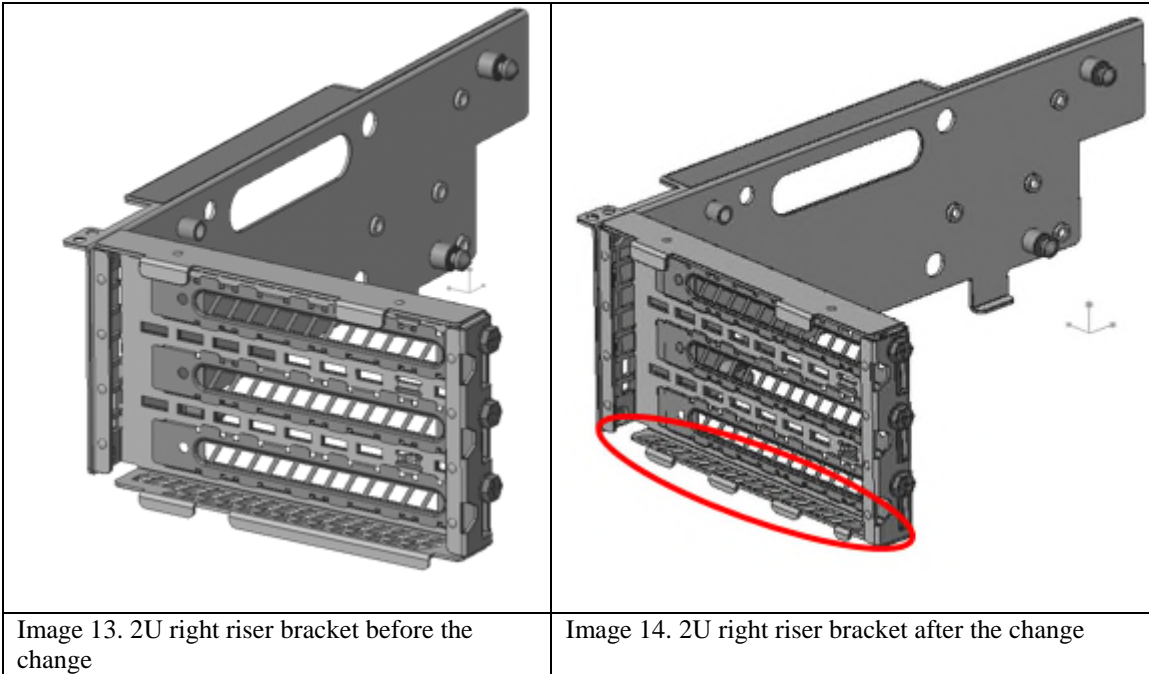
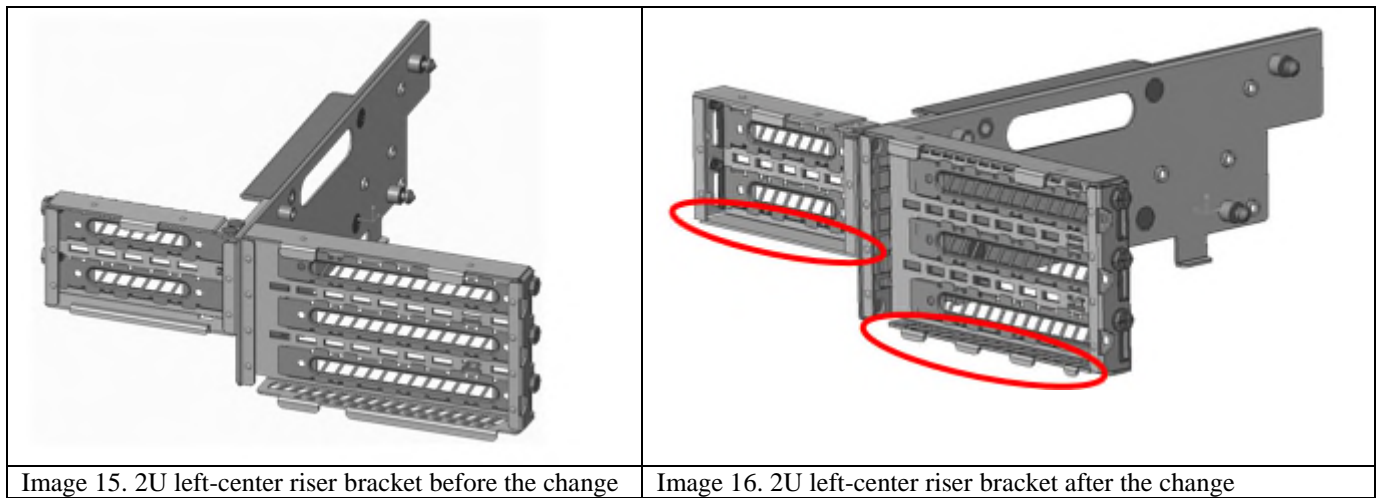


Image 12. Bracket after the change

4. The right riser bracket has a new design.



5. The left-center riser bracket has a new design.



Customer Impact of Change and Recommended Action:

Intel recommends that customers perform a fit check on their systems and chassis based on this new design.

Please contact your Intel representative if you require orders be filled specifically with either the new or old MM#; otherwise, all orders will be filled with the old MM until inventory has been depleted. Contact your local Intel Field Sales Rep if you have any further questions about these changes

Products Affected / Intel Ordering Codes:

Product Code	Current MM#	New MM#
R1304WFXXX	952622	975896
R2000WFXXX	952623	975897
R1304WFTYS	952625	975884
R1304WF0YS	952626	975885
R1208WFTYS	952627	975886
R2308WFTZS	952631	975887
R2208WF0ZS	952629	975888
R2208WFTZS	952628	975889
R2208WFQZS	952637	975890
R2312WF0NP	955876	975812
R2312WFTZS	952632	975892
R2312WFQZS	955877	975893
R2224WFQZS	955875	975894
R2224WFTZS	952633	975895

PCN Revision History:

Date of Revision:

February 27, 2018

Revision Number:

00

Reason:

Originally Published PCN



Product Change Notification

116123 - 00

INFORMATION IN THIS DOCUMENT IS PROVIDED IN CONNECTION WITH INTEL PRODUCTS. NO LICENSE, EXPRESS OR IMPLIED, BY ESTOPPEL OR OTHERWISE, TO ANY INTELLECTUAL PROPERTY RIGHTS IS GRANTED BY THIS DOCUMENT. EXCEPT AS PROVIDED IN INTEL'S TERMS AND CONDITIONS OF SALE FOR SUCH PRODUCTS, INTEL ASSUMES NO LIABILITY WHATSOEVER AND INTEL DISCLAIMS ANY EXPRESS OR IMPLIED WARRANTY, RELATING TO SALE AND/OR USE OF INTEL PRODUCTS INCLUDING LIABILITY OR WARRANTIES RELATING TO FITNESS FOR A PARTICULAR PURPOSE, MERCHANTABILITY, OR INFRINGEMENT OF ANY PATENT, COPYRIGHT OR OTHER INTELLECTUAL PROPERTY RIGHT.

A "Mission Critical Application" is any application in which failure of the Intel Product could result, directly or indirectly, in personal injury or death. SHOULD YOU PURCHASE OR USE INTEL'S PRODUCTS FOR ANY SUCH MISSION CRITICAL APPLICATION, YOU SHALL INDEMNIFY AND HOLD INTEL AND ITS SUBSIDIARIES, SUBCONTRACTORS AND AFFILIATES, AND THE DIRECTORS, OFFICERS, AND EMPLOYEES OF EACH, HARMLESS AGAINST ALL CLAIMS COSTS, DAMAGES, AND EXPENSES AND REASONABLE ATTORNEYS' FEES ARISING OUT OF, DIRECTLY OR INDIRECTLY, ANY CLAIM OF PRODUCT LIABILITY, PERSONAL INJURY, OR DEATH ARISING IN ANY WAY OUT OF SUCH MISSION CRITICAL APPLICATION, WHETHER OR NOT INTEL OR ITS SUBCONTRACTOR WAS NEGLIGENT IN THE DESIGN, MANUFACTURE, OR WARNING OF THE INTEL PRODUCT OR ANY OF ITS PARTS.

Intel may make changes to specifications and product descriptions at any time, without notice. Designers must not rely on the absence or characteristics of any features or instructions marked "reserved" or "undefined". Intel reserves these for future definition and shall have no responsibility whatsoever for conflicts or incompatibilities arising from future changes to them. The information here is subject to change without notice. Do not finalize a design with this information.

The products described in this document may contain design defects or errors known as errata which may cause the product to deviate from published specifications. Current characterized errata are available on request.

Should you have any issues with the timeline or content of this change, please contact the Intel Representative(s) for your geographic location listed below. No response from customers will be deemed as acceptance of the change and the change will be implemented pursuant to the key milestones set forth in this attached PCN.

Americas Contact: asmo.pcn@intel.com

Asia Pacific/PRC Contact: apagccb@intel.com

Europe Email: eccb@intel.com

Japan Email: jccb.ijkk@intel.com

Copyright © Intel Corporation 2018. Other names and brands may be claimed as the property of others.

3D XPoint, Axxia, Basis, Basis Peak, BlueMoon, BunnyPeople, Celeron, Centrino, Cilk, Curie, Flexpipe, Intel, the Intel logo, Intel Atom, Intel CoFluent, Intel Core, Intel. Experience What's Inside, the Intel. Experience What's Inside logo, Intel Inside, the Intel Inside logo, Intel Insider, Intel Joule, Intel RealSense, Intel SingleDriver, Intel SpeedStep, Intel Unite, Intel vPro, Intel Xeon Phi, Intel XScale, InTru, the InTru logo, the InTru Inside logo, InTru soundmark, Iris, Itanium, MCS, MMX, Optane, Ostro, Pali, Pentium, picoArray, Picochip, picoXcell, Puma, Quark, SMARTi, Soletta, Sound Mark, StarPro, Stay With It, the Engineering Stay With It logo, StreamSight, Tarari, The Journey Inside, Thunderbolt, the Thunderbolt logo, Transcede, True Key, Ultrabook, VTune, Xeon, X-GOLD, XMM, X-PMU and XPOSYS are trademarks of Intel Corporation or its subsidiaries in the U.S. and/or other countries.

Microsoft, Windows, and the Windows logo are trademarks, or registered trademarks of Microsoft Corporation in the United States and/or other countries. Java is a registered trademark of Oracle and/or its affiliates. Bluetooth is a trademark owned by its proprietor and used by Intel Corporation under license. Intel Corporation uses the Palm OS* Ready mark under license from Palm, Inc. OpenCL and the OpenCL logo are trademarks of Apple Inc. used by permission by Khronos. Learn how to use Intel Trademarks and Brands correctly at <http://www.intel.com/intel/legal/tmusage2.htm>.